

OPERATION AND INSTALLATION

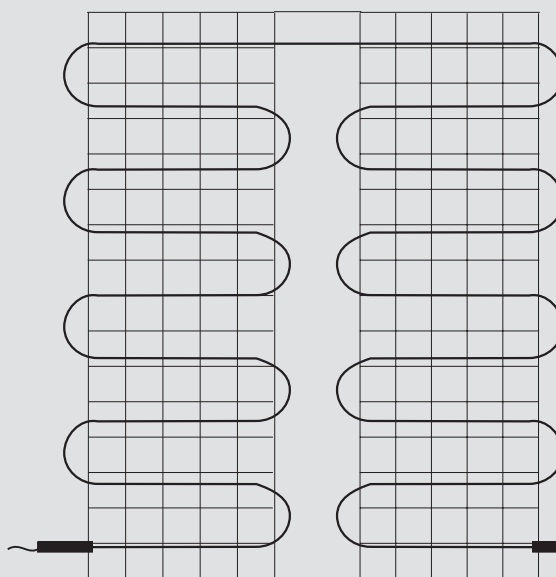
OBSLUHA A INSTALACE

ЭКСПЛУАТАЦИЯ И УСТАНОВКА

OBSŁUGA I INSTALACJA

Floor tempering | Temperování podlahového topení | Система обогрева пола прямого действия | Wyrównywanie temperatury podłogi

- » FTM 150 B
- » FTM 225 B
- » FTM 300 B
- » FTM 375 B
- » FTM 450 B
- » FTM 600 B
- » FTM 750 B
- » FTM 900 B
- » FTM 1050 B



STIEBEL ELTRON

General information

SPECIAL INFORMATION

OPERATION

1. General information	2
1.1 Safety instructions	2
1.2 Other symbols in this documentation	3
1.3 Information on the appliance	3
1.4 Units of measurement	3
2. Safety	3
2.1 Intended use	3
2.2 General safety instructions	3
2.3 Test symbols	3
3. Settings	3
4. Cleaning, care and maintenance	3
5. Troubleshooting	4

INSTALLATION

6. Safety	4
6.1 General safety instructions	4
6.2 Instructions, standards and regulations	4
7. Appliance description	4
7.1 Standard delivery	4
7.2 Warranty card / installation diagram	4
8. Preparations	4
8.1 Installation site / Installation conditions	4
8.2 Safety clearances	5
8.3 Installation diagram	5
8.4 Test measurement 1	6
8.5 Preparing the substrate	6
9. Installation	6
9.1 Installing a flush box	6
9.2 Installing temperature sensors	6
9.3 Installing the cold lead	6
9.4 Laying out the heating mat	7
9.5 Test measurement 2	7
9.6 Laying the floor covering	7
9.7 Test measurement 3	8
9.8 Power supply	8
10. Commissioning	9
10.1 Initial start-up	9
10.2 Commissioning report	9
11. Handover	9
12. Specification	9
12.1 Data table	9

WARRANTY FOR AUSTRALIA

GUARANTEE

ENVIRONMENT AND RECYCLING

SPECIAL INFORMATION

- The appliance may be used by children aged 8 and up and persons with reduced physical, sensory or mental capabilities or a lack of experience and know-how, provided that they are supervised or they have been instructed on how to use the appliance safely and have understood the resulting risks. Children must never play with the appliance. Children must never clean the appliance or perform user maintenance unless they are supervised.
- The connection to the power supply must be in the form of a permanent connection. Ensure the appliance can be separated from the power supply by an isolator that disconnects all poles with at least 3 mm contact separation.
- The power cable must only be replaced by a qualified contractor using original spare parts.
- Fix the appliance in position as described in chapter "Installation / Preparations".

OPERATION

1. General information

The chapters "Special Information" and "Operation" are intended for both the user and qualified contractors.

The chapter "Installation" is intended for qualified contractors.



Note

Read these instructions carefully before using the appliance and retain them for future reference. Pass on the instructions to a new user if required.

1.1 Safety instructions

1.1.1 Structure of safety instructions



KEYWORD Type of risk



Here, possible consequences are listed that may result from failure to observe the safety instructions.

► Steps to prevent the risk are listed.

OPERATION

Safety

1.1.2 Symbols, type of risk

Symbol	Type of risk
	Injury
	Electrocution

1.1.3 Keywords



KEYWORD	Meaning
DANGER	Failure to observe this information will result in serious injury or death.
WARNING	Failure to observe this information may result in serious injury or death.
CAUTION	Failure to observe this information may result in non-serious or minor injury.

1.2 Other symbols in this documentation




Note

General information is identified by the adjacent symbol.
▶ Read these texts carefully.

Symbol	Meaning
	Material losses (appliance damage, consequential losses and environmental pollution)
	Appliance disposal

▶ This symbol indicates that you have to do something. The action you need to take is described step by step.

1.3 Information on the appliance

Symbol	Meaning
	Underfloor heating system (direct action)

1.4 Units of measurement



Note

All measurements are given in mm unless stated otherwise.

2. Safety

2.1 Intended use

The heating mat provides direct underfloor heating and is used for electric underfloor heating in individual areas, e.g. bathrooms, kitchens, sauna lobbies, hallways or other living areas and in indoor swimming pools and other wet rooms.

This appliance is intended for domestic use. It can be used safely by untrained persons. The appliance can also be used in a non-domestic environment, e.g. in a small business, as long as it is used in the same way.

Any other use beyond that described shall be deemed inappropriate. Observation of these instructions and of instructions for any accessories used is also part of the correct use of this appliance.

2.2 General safety instructions



WARNING Injury

The appliance may be used by children aged 8 and up and persons with reduced physical, sensory or mental capabilities or a lack of experience and know-how, provided that they are supervised or they have been instructed on how to use the appliance safely and have understood the resulting risks. Children must never play with the appliance. Children must never clean the appliance or perform user maintenance unless they are supervised.



Material losses

Only operate the heating mat when fully installed and with all safety equipment fitted.

2.3 Test symbols

See type plate label, label on the warranty card or in the main junction box.

3. Settings

You can set the required floor temperature by means of an external temperature controller.

The floor temperature which can be achieved depends on the floor structure and the floor covering. Observe the information in the operating and installation instructions for the temperature controller.

3.3.1 Temperature controller with time switch

Energy saving operation is ensured by installing a temperature controller with time switch.

Using a temperature controller with time switch means that you can adapt the heating operation to your lifestyle by specifying when the heating mat will switch on and off.

- ▶ Adjust the operating times so that it switches on a certain amount of time before use. The necessary time depends on the floor structure and the floor covering.
- ▶ Adjust the time it switches off so that the appliance switches off approximately half an hour before the end of use.

Further information can be found in the operating and installation instructions for the temperature controller.

4. Cleaning, care and maintenance

The heating mat does not require any particular maintenance.

INSTALLATION

Troubleshooting

5. Troubleshooting

Problem	Cause	Remedy
The heating mat does not provide the necessary heating output.	The temperature controller is not set correctly.	Adjust the temperature controller to the maximum heating level. After waiting for a short time, check whether the floor is warming up.
	For temperature controllers with a time switch: Operating times are not set correctly.	Check the time switch operating times and adjust if necessary.
	There is no power.	Check whether the fuses/MCBs in your fuse box have blown/responded.

If you cannot remedy the fault, notify your qualified contractor. To facilitate and speed up your request, provide the number from the type plate (000000-0000-000000).

You will find the type plate on the warranty card in these instructions and in the main junction box.

INSTALLATION

6. Safety

Only a qualified contractor should carry out installation, commissioning, maintenance and repair of the appliance.

6.1 General safety instructions

We guarantee trouble-free function and operational reliability only if original accessories and spare parts intended for the appliance are used.

6.2 Instructions, standards and regulations

! **Material losses**
Never install the heating mat on highly or normally flammable materials.

! **Material losses**
Never switch on the heating mat when it is rolled up.

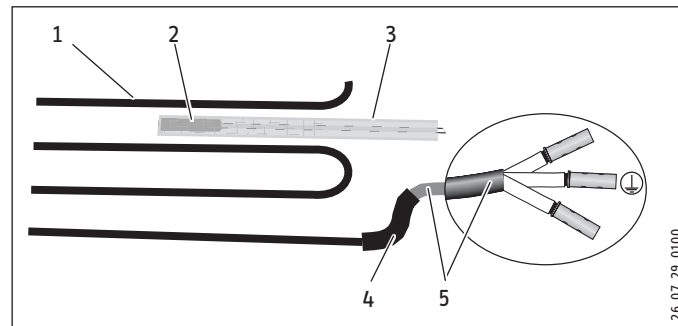
Note
Observe all applicable national and regional regulations and instructions.

7. Appliance description

The heating mat is a surface heating element. The heating mat comprises a heating conductor which is coiled over a self-adhesive fabric.

The heating mat is glued directly to the screed or to levelling compound (e.g. floating screed). The heat generated by the heating mat is thus transferred directly to the floor.

The required floor temperature is set via an external temperature controller. The temperature controller is equipped with a temperature sensor. The temperature sensor must be installed at heating level.



- 1 Heating conductor
- 2 Temperature sensors
- 3 Conduit (tube for installing the temperature sensor)
- 4 Female connection for heating conductor/cold lead
- 5 Cold lead (electrical power cable)

The heating mat is switched on or off according to the floor temperature set on the temperature controller.

The temperature controller takes account of heat gain, e.g. due to sunlight or lighting, and provides frost protection.

The temperature controller is self-monitoring. In the event of a power failure, sensor break or sensor short-circuit, the heating automatically switches off.

7.1 Standard delivery

- Heating mat
- Two type plate labels (warranty card / main junction box)

7.2 Warranty card / installation diagram

You must complete the warranty card and installation diagram fully. The warranty is not valid without this proof.

The chapter "Preparations" contains information on completing the installation diagram.

8. Preparations

8.1 Installation site / Installation conditions

! **Material losses**
Do not install the heating mat at temperatures below 5 °C.

Note
In new builds, allow the screed to cure for 4-6 weeks. Only install the heating mat once this period has ended.

8.1.1 Substrate

! **Material losses**
The heating mat may only be installed on floors. Walls or ceilings may not be used as installation surfaces.

INSTALLATION

Preparations

You may install the heating mat on a variety of substrates, e.g. screed, hot mix asphalt or moisture-resistant chipboard. Observe the following information:

- Installation on hot mix asphalt: The substrate must be able to withstand temperatures of approx. 80 °C.
- Installation on chipboard: Suitable insulation boards can also be installed to improve impact sound insulation.
- Very sandy screed surfaces must be coated with an adhesive dispersion.

Thermal insulation

Thermal insulation must be fitted between the unfinished floor and the heating mat.

- ▶ Please ensure that the thermal insulation complies with the latest standards.
- ▶ The maximum thermal resistance between the heating mat and the room must not exceed 50 mm.

8.1.2 Bathrooms and shower rooms

The heating mat must not be installed in areas where sanitary equipment such as baths, showers, freestanding WCs, etc. are to be installed.

Floor coverings

The heating mat is suitable for use with a range of floor coverings, e.g. tiles, carpets, PVC or parquet.

! Material losses
Only use floor coverings which are suitable for underfloor heating systems.

Note that different floor coverings have different thermal conductivity values according to their type and the thickness of the material:

Floor covering	Max. thickness	Thermal conductivity
Tiles	30 mm	$\lambda = 1.00 \text{ W/(m} \cdot \text{K)}$
Carpet	20 mm	$\lambda = 0.09 \text{ W/(m} \cdot \text{K)}$
Parquet	16 mm	$\lambda = 0.14 \text{ W/(m} \cdot \text{K)}$
PVC	10 mm	$\lambda = 0.23 \text{ W/(m} \cdot \text{K)}$
Cork	10 mm	$\lambda = 0.08 \text{ W/(m} \cdot \text{K)}$

8.1.3 Covering the floor

Additional floor coverings, e.g. carpets, may lead to higher temperatures in the floor itself.

- ▶ Do not use floor coverings which are more than 10 mm thick.

8.2 Safety clearances

! Material losses

- Cupboards which cover the whole area must not be placed on heated areas.
- The heating mat must not be installed close to other heat sources such as luminaires and chimneys.

- ▶ Make sure that you leave a 60 cm wide unheated edge area along the walls.

- ▶ Make sure that you observe a distance of at least 30 mm from all conductive materials.

! Material losses
The heating conductors on heating mats installed in parallel must not touch.

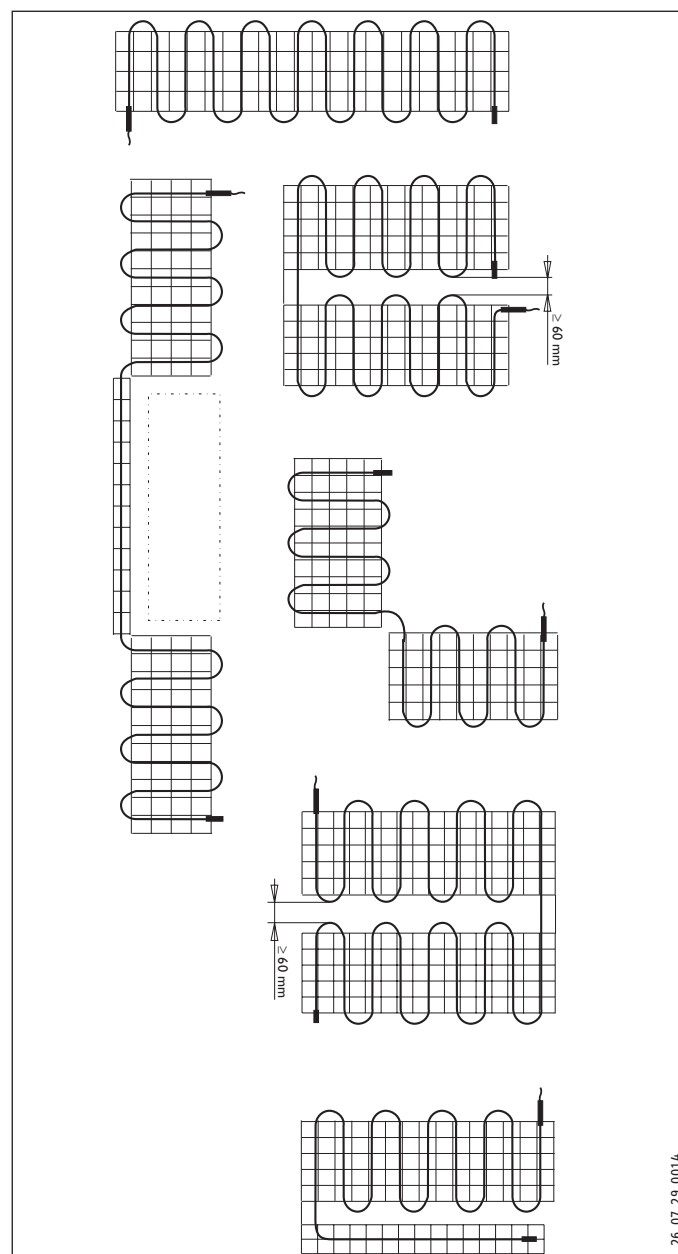
- ▶ Make sure that you observe a distance of at least 50 mm when installing heating mats in parallel.

8.3 Installation diagram

You must draw up an installation diagram before installing the heating mat. See chapter "Sample installations" and "Safety clearances" in this respect.

- ▶ Draw the position of the heating mats, the unheated edge area, the temperature sensor and the cold lead on the installation diagram.

8.3.1 Sample installations



INSTALLATION

Installation

8.3.2 Position of the temperature sensor

- The temperature sensor must be positioned directly below the heating mat and approx. 100 mm from the edge of the heating mat.
- The temperature sensor must be positioned halfway between two heating conductor loops.
- The temperature sensor lead must not cross or touch the heating conductor.

8.4 Test measurement 1

Before installation, please check the total resistance and insulation resistance of the heating mats in their delivered condition.



Note

The warranty is not valid without proof of this measurement.

- ▶ Measure the total resistance and insulation resistance of the heating mat.
- ▶ Check whether the measured values are in the permissible measuring range (see chapter "Specification / Data table").
- ▶ Enter the measured values on the warranty card.

8.5 Preparing the substrate

- ▶ Make sure that the substrate is clean, dry, solid and free from dirt and grease.
- ▶ Make sure that no sharp edges or pointed objects are protruding from the floor. These could damage the heating conductor.
- ▶ If the substrate is not level, carry out levelling operations so as to avoid cavities beneath the heating conductor. Settlement joints in the substrate must not be bridged using the heating mat.

9. Installation

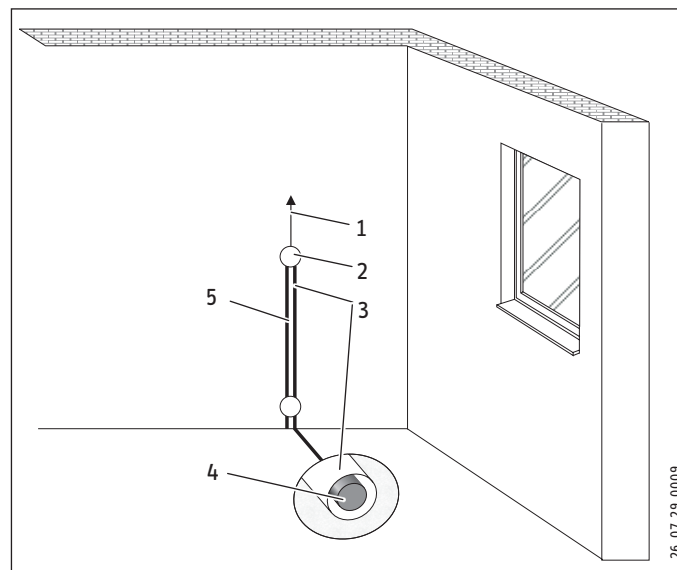
9.1 Installing a flush box

Please install all power cables in a flush box for connection to the temperature controller.



Material losses

In bathrooms and wet rooms, the flush box must only be installed outside safety zone 2.



- 1 Distribution cable (NYM 3x1.5 mm²)
- 2 Flush box
- 3 Conduit for temperature sensor
- 4 Temperature sensors
- 5 Cold lead / conduit for cold lead

- ▶ Choose an appropriate position to install the flush box.
- ▶ Install an additional flush box if you would like to connect more heating mats.
- ▶ Always install an additional flush box if the cold lead or temperature sensor lead is too short.

9.2 Installing temperature sensors

The temperature sensor must be installed in a conduit. The conduit is included as standard in the set.

- ▶ Choose an appropriate position for installing the conduit. Observe the instructions in chapter "Installation diagram / Position of the temperature sensor".
- ▶ Install the conduit and insert the temperature sensor into it.

9.3 Installing the cold lead

You can install the cold lead in a conduit or flush with the floor in a groove in the screed.

9.3.1 Installing in a conduit



Material losses

The cold lead must be installed in a separate conduit. The cold lead and the temperature sensor lead must not be installed in the same conduit.

- ▶ Install an additional conduit and install the cold lead in the conduit.
- ▶ Make sure that the female connection for the heating conductor/cold lead is not subjected to a tensile load of more than 120 N.

9.3.2 Installation in the floor



Material losses

If installed in the floor, the cold lead must be able to be inserted in the flush box without an extension. The cold lead may not cross or touch the heating conductor.

- ▶ Chisel out a groove in the screed by using appropriate tools and install the cold lead in this groove.
- ▶ Make sure that the female connection for the heating conductor/cold lead is not subjected to a tensile load of more than 120 N.

9.4 Laying out the heating mat



Material losses

Do not cut, squash or kink the heating conductor on the heating mat. You may shorten and extend the cold lead as long as you do not change its cross-section.



Material losses

- ▶ Do not use nails or other metal objects to attach the heating mat to the floor.
- ▶ Only stand on the heating mat if absolutely necessary. Take any necessary protective measures to avoid mechanical damage (e.g. shoes with rubber soles).

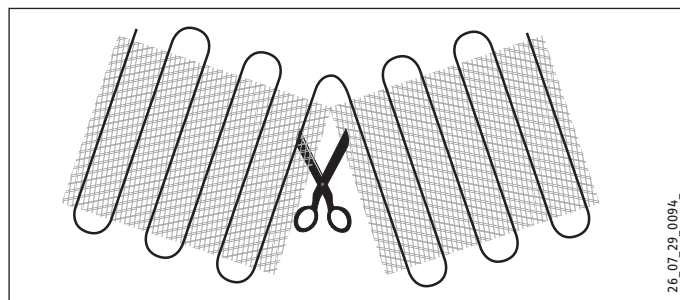


Material losses

- ▶ Do not install the heating mat through or beneath insulating material.
- ▶ The installed heating mat may not cross expansion joints in the floor.
- ▶ Do not use penetrating fixing materials in the vicinity of the heating mat, e.g. screws and rawl plugs for door stoppers, WC fittings.

Observe the position of the heating mat specified in the installation diagram for the subsequent steps.

- ▶ Lay out the heating mat in accordance with the installation diagram. The self-adhesive side must be facing downwards.



- ▶ Cut the heating mat backing fabric with scissors at the turning point. Make sure that you don't accidentally damage the heating conductor with the scissors.



Material losses

The heating conductor bending radius must be at least 18 mm. The smallest permissible bending radius is six times the diameter of the heating conductor.

- ▶ Carefully bend the heating conductor at the cutting point.
- ▶ Observe minimum distances (see chapter "Preparations / Safety clearances").
- ▶ Make sure that the temperature sensor lead does not cross or touch the heating conductor and that the temperature sensor is halfway between two heating conductor loops.
- ▶ Make sure that heating mats do not overlap. Overlapping heating mats may lead to malfunctions.
- ▶ Make sure that the fabric is laid out without any creases.
- ▶ Press the heating mat firmly onto the floor.

9.5 Test measurement 2

After laying out the heating mat, check the total resistance and insulation resistance of the heating mat to rule out the possibility of damage to the heating mat.



Note

The warranty is not valid without proof of this measurement.

- ▶ Measure the total resistance and insulation resistance of the heating mats.
- ▶ Check whether the measured values are in the permissible measuring range (see chapter "Specification / Data table").
- ▶ Enter the measured values on the warranty card.
- ▶ Replace the damaged heating mat if the measured values deviate from the permissible range.

9.6 Laying the floor covering



Material losses

Only use tile adhesive and levelling compound which are suitable for underfloor heating systems and which can withstand constant temperatures of at least 80 °C.



Material losses

When applying tile adhesive and levelling compound, please observe the manufacturer's instructions concerning drying time and other manufacturer's information.



Note

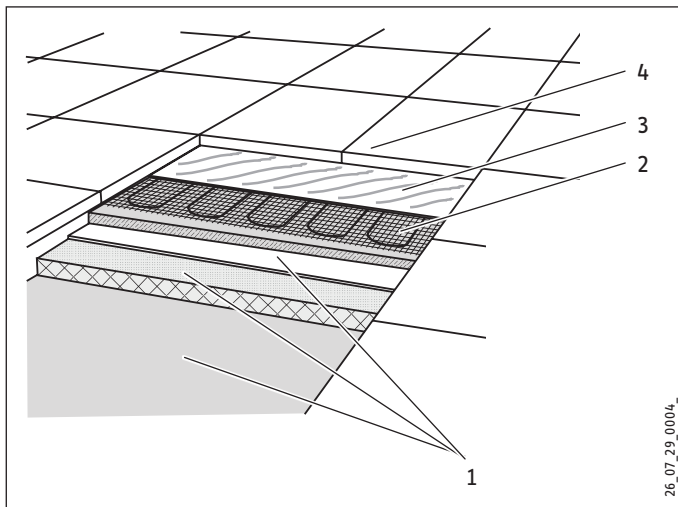
You must wait at least 3 days, depending on the humidity levels within the building, before starting to lay the floor covering.

9.6.1 Tiles

- ▶ Select an appropriate tile adhesive or levelling compound if applicable. Note that this must be able to withstand constant temperatures of at least 80 °C.
- ▶ Seal the conduits so that tile adhesive cannot get into the conduits whilst installing the heating mats.

INSTALLATION

Installation



- 1 Substrate with thermal insulation
 - 2 Heating mat with heating conductor
 - 3 Tile adhesive
 - 4 Floor covering
- ▶ Apply the tile adhesive and levelling compound if applicable. Take care not to damage the heating conductor.
 - ▶ Make sure that the entire circumference and length of the heating conductor is enclosed in tile adhesive.
 - ▶ If necessary, lift the heating mat slightly after applying the tile adhesive to make sure that there are no air bubbles beneath the heating mat. These may lead to higher temperatures.
 - ▶ Press the heating mat back down into the tile adhesive.
 - ▶ Lay the tiles in accordance with the manufacturer's instructions.

9.6.2 Carpet, PVC, parquet or cork

Before laying floor coverings such as carpet, PVC or cork, cover a large area of the heating mat with a levelling compound.

The levelling compound provides mechanical protection for the heating mats. Appropriate materials include free-flowing cement mortar, for example.

- ▶ Choose an appropriate levelling compound. Note that this must be able to withstand constant temperatures of at least 80 °C.
- ▶ Seal the conduits so that levelling compound cannot get into the conduits whilst installing the heating mats.
- ▶ Apply the levelling compound in a 5-10 mm thick layer. Take care not to damage the heating conductor.
- ▶ Make sure that the entire circumference and length of the heating conductor is enclosed in levelling compound.
- ▶ If necessary, lift the heating mat slightly after applying the levelling compound to make sure that there are no air bubbles beneath the heating mat. These may lead to higher temperatures.
- ▶ Press the heating mat back down into the levelling compound.
- ▶ Allow the levelling compound to cure in accordance with manufacturer's instructions.
- ▶ Fill settlement joints with suitable materials, e.g. silicone.
- ▶ Lay the floor covering in accordance with the manufacturer's instructions.

9.7 Test measurement 3

After laying the floor covering, check the total resistance and insulation resistance of the heating mat to rule out the possibility of damage to the heating mats.



Note

The warranty is not valid without proof of this measurement.

- ▶ Measure the total resistance and insulation resistance of the heating mats.
- ▶ Check whether the measured values are in the permissible measuring range (see chapter "Specification / Data table").
- ▶ Enter the measured values on the warranty card.

9.8 Power supply



WARNING Electrocutation

Carry out all electrical connection and installation work in accordance with relevant regulations. Observe the local requirements of the relevant power supply utility.



WARNING Electrocutation

Only use a permanent connection to the power supply.

- ▶ Separate the appliance from the power supply by an additional isolator that disconnects all poles with at least 3 mm contact separation. Use mains isolators, fuses, contactors, etc. for this purpose.
- ▶ Install an RCD with a nominal earth leakage current of ≤ 30 mA.



Material losses

The heating conductor must not be connected to the power supply.

- ▶ Only connect the cold lead to the power supply.



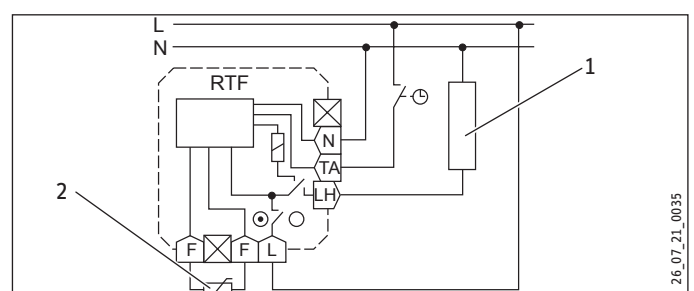
Material losses

Observe the type plate. The specified voltage must match the mains voltage. Design all materials in accordance with the rated consumption of the appliance.

Basic wiring diagram

(e.g. for temperature controller RTF)

The basic wiring diagram below is provided for clarification purposes. The temperature controller wiring diagram is the only applicable wiring diagram (see operating and installation instructions for the temperature controller).



INSTALLATION

Commissioning

- 1 Heating mat
- 2 Temperature sensors

In connection with the following installation steps, observe the operating and installation instructions for the temperature controller:

- ▶ Connect the earth conductor to the earth connection (PE).
- ▶ Connect the heating mats to the temperature controller via the cold lead.
- ▶ Check whether the earth conductor is connected correctly.

9.8.1 Connecting additional heating mats



Material losses

Only connect additional heating mats in parallel.

- ▶ Make sure that the total current does not exceed the maximum switching current and breaking capacity of the temperature controller.
- ▶ Information can be found in the operating and installation instructions for the temperature controller.

10. Commissioning

10.1 Initial start-up

After installing the heating mat and applying tile adhesive or levelling compound, you must wait at least 2 days before switching on the heating mat for the first time.

- ▶ Switch on the heating mat for short periods over several days once this initial drying phase has been completed. This ensures that the tile adhesive and levelling compound cure slowly.
- ▶ If you have laid impermeable synthetic floor coverings, you must heat the floor for a period of approx. 36 hours. This ensures that there will be no residual humidity left in the floor.



Note

Final commissioning can take place no sooner than 5 days after completion of the floor.

10.2 Commissioning report

- ▶ Make sure that you have completed the warranty card and the installation diagram correctly. Observe the following information:
 - The installation diagram must show the exact position of the heating mats, cold leads and temperature sensor.
 - Measured values from all three test measurements must be entered on the warranty card.
- ▶ Enter the measured total resistance and insulation resistance on both type plate labels.
- ▶ Attach the type plate label for the warranty card to the specified position on this card.
- ▶ Attach the type plate label for the main junction box in a highly visible location on this box.

11. Handover

Explain the functions of the appliance to the user. Draw special attention to the safety instructions.

Hand over these operating and installation instructions to the user.

Hand over the warranty card and installation diagram to the user.

12. Specification

12.1 Data table

		FTM 150 B	FTM 225 B	FTM 300 B	FTM 375 B	FTM 450 B
		234548	234549	234550	234551	234552
Electrical details						
Connected load	W	135	220	300	380	470
Power supply		1/N/ PE ~ 230 V	1/N/ PE ~ 230 V	1/N/ PE ~ 230 V	1/N/ PE ~ 230 V	1/N/ PE ~ 230 V
Electrical resistance (+10/-5 %)	Ω	351	236	164	147	105
Dimensions						
Length	mm	2000	3000	4000	5000	6000
Width	mm	500	500	500	500	500
Surface	m ²	1	1,5	2	2,5	3
Versions						
IP-Rating		IPX7	IPX7	IPX7	IPX7	IPX7
Values						
Rated limit temperature, heating element	°C	80	80	80	80	80

		FTM 600 B	FTM 750 B	FTM 900 B	FTM 1050 B
		234553	234554	234555	234556
Electrical details					
Connected load	W	650	815	930	1040
Power supply		1/N/PE ~ 230 V	1/N/PE ~ 230 V	1/N/PE ~ 230 V	1/N/PE ~ 230 V
Electrical resistance (+10/-5 %)	Ω	87	67	55	48
Dimensions					
Length	mm	8000	10000	12000	14000
Width	mm	500	500	500	500
Surface	m ²	4	5	6	7
Versions					
IP-Rating		IPX7	IPX7	IPX7	IPX7
Values					
Rated limit temperature, heating element	°C	80	80	80	80

WARRANTY FOR AUSTRALIA

Stiebel Eltron Warranty for Under Floor Heating – Models FTM & FTB.

Who gives the warranty

1. The warranty is given by Stiebel Eltron (Aust) Pty Ltd (A.B.N. 82 066 271 083) of 6 Prohasky Street, Port Melbourne, Victoria, 3207 (“we”, “us” or “our”).

The warranty

2. This warranty applies to Stiebel Eltron under floor and in-shower under floor heating – Models FTM and FTB (the “unit”) manufactured after 1 May 2015.

3. Subject to the warranty exclusions we will repair or replace, at our absolute discretion, a faulty component in your unit free of charge if it fails to operate in accordance with its specifications during the warranty period.

4. If we repair or replace a faulty component to your unit under this warranty, the warranty period is not extended from the time of the repair or replacement.

5. The warranty period commences on the date of completion of the installation of the unit. Where the date of completion of installation is not known, then the warranty period will commence 2 months after the date of manufacture.

6. The warranty period for a unit is shown in the table below.

Component	Warranty period
All components	7 years from the date of completion of the installation of the unit.

Your entitlement to make a warranty claim

7. You are entitled to make a warranty claim if:

7.1. you own the unit or if you have the owner’s consent to represent the owner of the unit;

7.2. you contact us within a reasonable time of discovering the problem with the unit;

How you make a warranty claim

8. To make a warranty claim you must provide us with the following information:

8.1. The model number of the unit;

8.2. A description of the problem with the unit;

8.3. The name, address and contact details (such as phone number and e-mail address) of the owner;

8.4. The address where the unit is installed and the location (e.g. in living room);

8.5. The serial number of the unit;

8.6. The date of purchase of the unit and the name of the seller of the unit;

8.7. The date of installation of the unit where appropriate;

8.8. A copy of the certificate of compliance when the unit was installed where appropriate.

9. The contact details for you to make your warranty claim are:

Name: Stiebel Eltron (Aust) Pty Ltd
Address: 6 Prohasky Street, Port Melbourne, Victoria, 3207
Telephone: 1800 153 351
(8.00 am to 5.00 pm AEST Monday to Friday)
Contact person: Customer Service Representative
E-mail: service@stiebel.com.au

10. We will arrange a suitable time with you to inspect and test the unit.

Warranty exclusions

11. We may reject your warranty claim if:

11.1. The unit was not installed by registered and qualified tradespeople, where required.

11.2. The unit was not installed and commissioned:

(a) in Australia;

(b) in accordance with the Operating and Installation Guide; and

(c) in accordance with the relevant statutory and local requirements of the State or Territory in which the unit is installed.

11.3. The unit has not been operated or maintained in accordance with the Operating and Installation Guide.

11.4. The unit does not bear its original Serial Number or Rating Label.

11.5. The unit was damaged by any or any combination of the following:

(a) normal fair wear and tear;

(b) connection to an incorrect power supply;

(c) connection to faulty equipment, such as faulty circuit breaker;

(d) accidental damage;

(e) act of God, including damage by flood, storm, fire, lightning strike and the like;

(f) wiring not to AS3000 Standards

11.6. The unit was damaged before it was installed e.g. it was damaged in transit.

11.7. An unauthorised person has modified, serviced, repaired or attempted to repair the unit without our consent.

11.8. Non genuine parts other than those manufactured or approved by us have been used on the unit.

12. We may charge you:

12.1. for any additional transport costs if the unit is installed more than 30 kilometres from our closest authorised service technician.

12.2. for the extra time it takes our authorised service technician to access the unit for inspection and testing if it is not sited in accordance with the Operating and Installation Guide and not readily accessible for inspection.

12.3. for any extra costs of our authorised service technician to make the unit safe for inspection.

13. You must ensure that access to the unit by our authorised service technician is safe and free from obstruction.

14. Our authorised service technician may refuse to inspect and test the unit until you provide safe and free access to it, at your cost.

15. If we reject your warranty claim in accordance with clause 11, we may charge you for our authorised service technician's labour costs to inspect and test the unit.

16. In order to properly test the unit we may remove it to another location for testing.

Australian Consumer Law

17. Our goods come with guarantees that cannot be excluded under the Australian Consumer Law. You are entitled to a replacement or refund for a major failure and compensation for any other reasonably foreseeable loss or damage. You are also entitled to have the goods repaired or replaced if the goods fail to be of acceptable quality and the failure does not amount to a major failure.

18. The Stiebel Eltron warranty for the unit is in addition to any rights and remedies you may have under the Australian Consumer Law.

Guarantee

The guarantee conditions of our German companies do not apply to appliances acquired outside of Germany. In countries where our subsidiaries sell our products a guarantee can only be issued by those subsidiaries. Such guarantee is only granted if the subsidiary has issued its own terms of guarantee. No other guarantee will be granted.

We shall not provide any guarantee for appliances acquired in countries where we have no subsidiary to sell our products. This will not affect warranties issued by any importers.

Environment and recycling

We would ask you to help protect the environment. After use, dispose of the various materials in accordance with national regulations.

NOTES

Warranty card

Customer

Name

Street

Postcode/Town

Telephone

Customer

Electrician

Date laid

Date installed

Company stamp

Purpose

Cement screed

Wooden floor

Type plate

Test report

This warranty is only valid if the warranty card is completed fully.
The insulation resistance must be $> 1 \text{ M Ohm}$.

Test measurement 1 (in the delivered condition)

Date Signature

Before installing the heating mat, the following values were measured:

Total resistance _____ Ohm

Insulation resistance _____ M Ohm

Test measurement 2 (after laying out the heating mat)

Date Signature

After laying out the heating mat, the following values were measured:

Total resistance _____ Ohm

Insulation resistance _____ M Ohm

Test measurement 3 (after laying the floor covering)

Date Signature

After laying the floor covering, the following values were measured:

Total resistance _____ Ohm

Insulation resistance _____ M Ohm



Installation diagram



Please create an accurate drawing of the room, the installed heating mats and the floor sensor.

	1	2	3	4	5	6	7	8	9	10	11	12	13	14	15	16	17	18	19	20	21	22	23	24	25	26	27	28	29	30	31	32	33	34	35	36	
1																																					
2																																					
3																																					
4																																					
5																																					
6																																					
7																																					
8																																					
9																																					
10																																					
11																																					
12																																					
13																																					
14																																					
15																																					
16																																					
17																																					
18																																					
19																																					
20																																					
21																																					
22																																					
23																																					
24																																					
25																																					
26																																					
27																																					
28																																					
29																																					
30																																					
31																																					
32																																					
33																																					
34																																					
35																																					
36																																					
37																																					
38																																					
39																																					
40																																					

Date installed:
Model:
Total resistance (Ω):
Insulation resistance (M Ω):
Fuse (A):
RCD (mA):



1.1.2 Symboly, druh nebezpečí

Symbol	Druh nebezpečí
	Úraz
	Úraz elektrickým proudem

1.1.3 Uvozující slova

UVOZUJÍCÍ SLOVO	Význam
NEBEZPEČÍ	Pokyny, jejichž nedodržení má za následek vážné nebo smrtelné úrazy.
VÝSTRAHA	Pokyny, jejichž nedodržení může mít za následek vážné nebo smrtelné úrazy.
POZOR	Pokyny, jejichž nedodržení může mít za následek středně vážné nebo lehké úrazy.



1 Jiné symboly použité v této dokumentaci



Upozornění


Obecné pokyny jsou označeny symbolem zobrazeným vedle.

- Texty upozornění čtěte pečlivě.

Symbol	Význam
	Věcné škody (poškození přístroje, následné škody, poškození životního prostředí)
	Likvidace přístroje

- Tento symbol vás vyzývá k určitému jednání. Potřebné úkony jsou popsány po jednotlivých krocích.

1.2 Upozornění na přístroji

Symbol	Význam
	Podlahové topení (přímé)

1.3 Měrné jednotky



Upozornění

Pokud není uvedeno jinak, jsou všechny rozměry uvedeny v milimetrech.

2. Bezpečnost

2.1 Použití v souladu s účelem

Topná rohož je přímé podlahové topení a slouží k temperování podlahy v jednotlivých zónách, např. v koupelnách, kuchyních, vstupních prostorách saun, na chodbách nebo v jiných oblastech bytu, ale i v zastřešených plaveckých bazénech a v jiných vlhkých prostorách.

Přístroj je určen k použití v domácnostech. Mohou jej tedy bezpečně obsluhovat neškolené osoby. Lze jej používat i mimo domácnosti, např. v drobném průmyslu, pokud způsob použití v takových oblastech odpovídá určení přístroje.

Jiné použití nebo použití nad rámec daného rozsahu je považováno za použití v rozporu s určením. K použití v souladu s určením patří také dodržování tohoto návodu a návodů k používanému příslušenství.

2.2 Všeobecné bezpečnostní pokyny



VÝSTRAHA úraz

Přístroj smí používat děti od 8 let a osoby se sníženými fyzickými, sensorickými nebo mentálními schopnostmi nebo s nedostatkem zkušeností a znalostí pouze pod dozorem nebo po poučení o bezpečném používání přístroje, a poté, co porozuměly nebezpečí, které z jeho používání plyne. Nenechávejte děti, aby si s přístrojem hrály. Čištění a údržbu, kterou má provádět uživatel, nesmí provádět samotné děti bez dozoru.



Věcné škody

Topnou rohož používejte pouze v plně nainstalovaném stavu a se všemi bezpečnostními zařízeními.

2.3 Kontrolní symbol

Viz nálepka s typovým štítkem, nálepka na předávacím protokolu nebo na hlavní připojovací skříňce.

3. Nastavení

Požadovanou teplotu podlahy můžete nastavit pomocí externího regulátoru teploty.

Dosažitelná teplota podlahy závisí na konstrukci podlahy a její krytině. Dodržujte pokyny uvedené v návodu k obsluze a instalaci regulátoru teploty.

3.3.1 Regulátor teploty se spínacími hodinami

Instalace regulátoru teploty se spínacími hodinami umožňuje energeticky úsporný provoz.

Regulací teploty spínacími hodinami můžete upravit topný režim podle svých zvyklostí nastavením doby zapnutí a vypnutí topné rohože.

- Provozní doby nastavte tak, aby došlo k zapnutí systému o něco dříve, než proběhne vlastní použití. Jak dlouhá tato doba bude závisí na konstrukci podlahy a na podlahové krytině.
- Nastavte dobu vypnutí tak, aby byl systém vypnut zhruba půl hodiny před koncem použití.

Další informace naleznete v návodu k obsluze a instalaci regulátoru teploty.

4. Čištění, péče a údržba

Topná rohož nevyžaduje žádnou zvláštní údržbu.

5. Odstranění problémů

Problém	Příčina	Odstranění
Topná rohož nemá požadovaný topný výkon.	Regulátor teploty není správně nastavený.	Nastavte na regulátoru teploty maximální topný stupeň. Zkontrolujte po určité době, zda se podlaha zahřívá.
	Při použití regulátorů teploty s časovým spínačem: Nesprávně nastavené provozní doby.	Zkontrolujte provozní doby časového spínače a případně je upravte.
	Došlo k výpadku elektrického napájení.	Zkontrolujte, zda nevypadly pojistky domovní instalace.

Pokud nelze příčinu odstranit, kontaktujte odborníka. K získání lepší a rychlejší pomoci sdělte číslo z typového štítku (000000-0000-000000).

Typový štítek naleznete na záruční kartě v tomto návodu a v hlavní přípojovací skříňce.

INSTALACE

6. Bezpečnost

Instalaci, uvedení do provozu, údržbu a opravy přístroje smí provádět pouze odborník.

6.1 Všeobecné bezpečnostní pokyny

Řádnou funkci a spolehlivý provoz lze zaručit pouze v případě použití původního příslušenství a originálních náhradních dílů určených pro tento přístroj.

6.2 Předpisy, normy a ustanovení



Věcné škody

Topnou rohož se nesmí pokládat na snadno hořlavé nebo hořlavé stavební materiály.



Věcné škody

Topnou rohož nesmíte uvést do provozu, pokud je srolovaná.



Upozornění

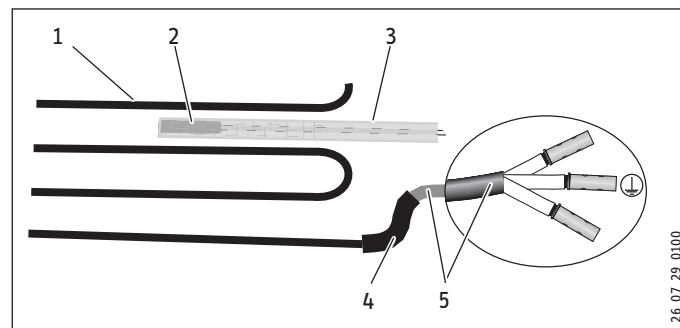
Dodržujte všechny národní a místní předpisy a ustanovení.

7. Popis přístroje

Topná rohož je plochý topný prvek. Topná rohož je provedena z topných kabelů, které jsou vedeny ve smyčkách v samolepicí tkanině.

Topná rohož je lepena přímo na cementový potěr nebo na nivelační hmotu (např. lité potěr). Teplo, které vytváří topná rohož, je tak přenášeno bezprostředně na podlahu.

Požadovaná teplota podlahy je nastavena pomocí externího regulátoru teploty. Regulátor teploty je vybaven snímačem teploty. Snímač teploty musí být instalován do topné vrstvy.



- 1 Topný kabel
- 2 Snímač teploty
- 3 Průchodka (instalační trubka pro snímač teploty)
- 4 Spojovací článek topného/studeného kabelu
- 5 Studený kabel (přívodní elektrické vedení)

Topná rohož je zapínána nebo vypínána v závislosti na teplotě podlahy, nastavené na regulátoru teploty.

Regulátor teploty bere v úvahu tepelné zisky vznikající např. ozářením sluncem nebo osvětlením a zajišťuje kontrolu proti zamrznutí.

Regulátor teploty má autodiagnostickou funkci. V případě výpadku napětí, poškození nebo zkratu snímače se vytápění automaticky vypne.

7.1 Rozsah dodávky

- Topná rohož
- Dvě nálepky s typovým štítkem (předávací protokol/hlavní přípojovací skříňka)

7.2 Předávací protokol/plán pokládky

Předávací protokol a plán pokládky musíte kompletně vyplnit. Bez tohoto dokladu nelze uplatnit záruku.

Pokyny k vyplnění plánu pokládky naleznete v kapitole „Příprava“.

8. Příprava

8.1 Místo montáže/montážní podmínky



Věcné škody

Topnou rohož nesmíte montovat za teploty nižší než 5 °C.



Upozornění

V novostavbách musíte u potěrů dodržet dobu schnutí 4-6 týdnů. Instalujte topnou rohož až po uplynutí této lhůty.

INSTALACE

Příprava

8.1.1 Podklad



Věcné škody

Topnou rohož směte pokládat pouze na podlahu. Stěny nebo stropy se nesmí používat jako montážní plochy.

Topnou rohož můžete položit na různý podklad, např. potěr, horký asfalt nebo na dřevotřískové desky odolné proti vodě. Dodržujte jiné následující pokyny:

- Pokládka na horký asfalt: Podklad musí být odolný vůči teplotám do cca 80 °C.
- Pokládka na dřevotřískové desky: K dosažení lepší kročejové izolace můžete navíc použít vhodně izolační desky.
- Výrazně drolivé potěry musejí být ošetřeny přínavou disperzí.

Tepelná izolace

Mezi hrubou podlahou a topnou rohoží musí být umístěna tepelná izolace.

- ▶ Zkontrolujte, zda je tepelná izolace provedena v souladu s aktuálním stavem techniky.

8.1.2 Koupelny a sprchy

Topnou rohož nesmíte pokládat na plochy, které jsou potřebné k montáži sanitárního vybavení, jako jsou vana, sprcha, záchodová mísa apod.

8.1.3 Krytiny

Topná rohož je vhodná k použití na různých krytinách, např. na dlažbě, koberci, PVC nebo na parketách.



Věcné škody

Používejte pouze takové podlahové krytiny, které jsou vhodné pro podlahové topení.

Pamatujte, že různé podlahové krytiny mají v závislosti na typu a tloušťce materiálů různou tepelnou vodivost:

Podlahová krytina	Max. tloušťka	Tepelná vodivost
Dlažba	30 mm	$\lambda = 1,00 \text{ W}/(\text{m} \cdot \text{K})$
Koberce	20 mm	$\lambda = 0,09 \text{ W}/(\text{m} \cdot \text{K})$
Parkety	16 mm	$\lambda = 0,14 \text{ W}/(\text{m} \cdot \text{K})$
PVC	10 mm	$\lambda = 0,23 \text{ W}/(\text{m} \cdot \text{K})$
Korek	10 mm	$\lambda = 0,08 \text{ W}/(\text{m} \cdot \text{K})$

8.1.4 Zakrytí podlahy

Dalším zakrytím podlahy např. kobercem může dojít ke vzniku vyšších teplot v podlaze.

- ▶ Nepoužívejte žádné zakrytí o tloušťce více než 10 mm.

8.2 Bezpečné vzdálenosti



Věcné škody

Skříně s dnem položeným přímo na zemi směte umístit pouze na nevytápěná místa.

- ▶ Dbejte, aby podél stěn zůstala nevytápěná plocha o šířce 60 cm.

- ▶ Zajistěte minimální vzdálenost 30 mm ode všech vodivých materiálů.



Věcné škody

Topné kabely paralelně položených topných rohoží se nesmějí dotýkat.

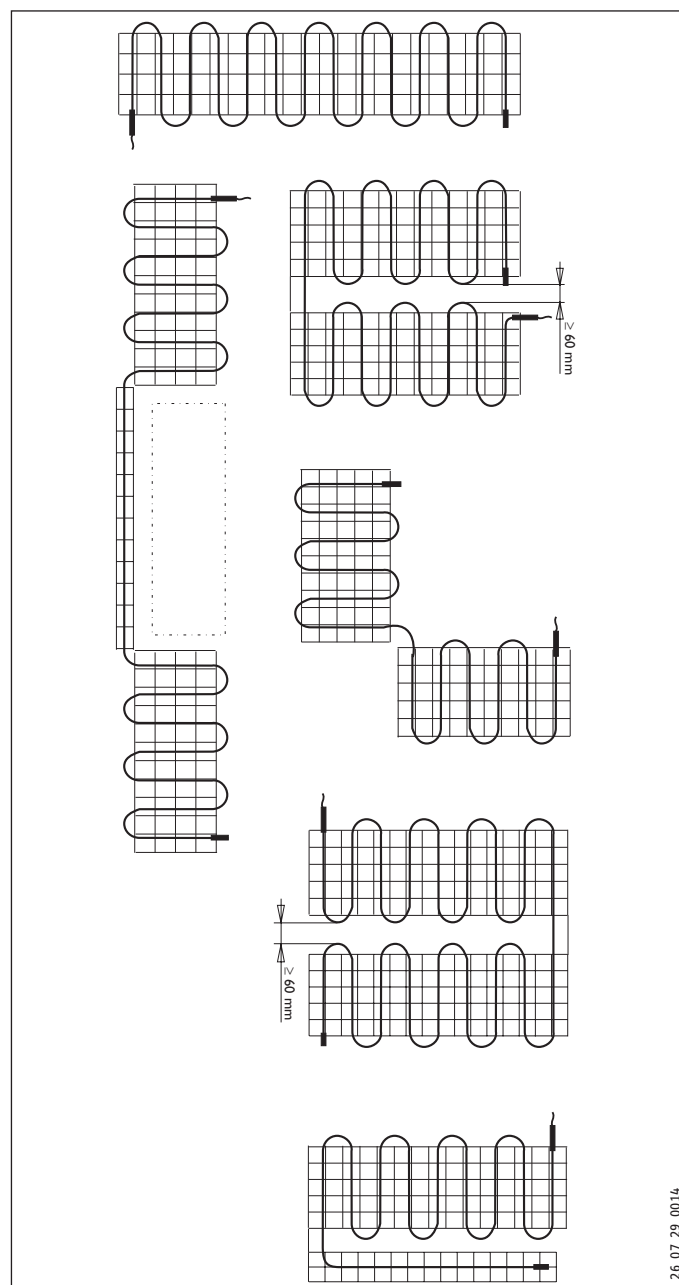
- ▶ Při paralelní pokládce topných rohoží dodržujte minimální vzdálenost 50 mm.

8.3 Plán pokládky

Před zahájením montáže topné rohože musíte vytvořit plán pokládky. Dodržujte také pokyny uvedené v kapitolách „Příklady pokládky“ a „Bezpečnostní vzdálenosti“.

- ▶ Vyznačte ve schématu pokládky pozici topných rohoží, nevyhříváné okrajové zóny, snímače teploty a studeného kabel.

8.3.1 Příklady pokládky



26_07_29_0014

8.3.2 Umístění snímače teploty

- Snímač teploty musí být umístěn bezprostředně pod topnou rohoží a cca 100 mm od okraje topné rohože.
- Snímač teploty musí být umístěn uprostřed mezi dvěma smyčkami topného vodiče.
- Vodič snímače teploty nesmí křížit topný kabel nebo se jej dotýkat.

8.4 Kontrolní měření 1

Před montáží je nutné zkontrolovat kompletní odpor a izolační odpor topných rohoží při dodání.



Upozornění

Bez dokladu o provedení tohoto měření nelze uplatnit záruku.

- ▶ Změřte celkový odpor a izolační odpor topné rohože.
- ▶ Zkontrolujte, zda jsou měřené hodnoty v přípustném rozsahu (viz kapitola „Technické údaje/Tabulka technických údajů“).
- ▶ Zapište naměřené hodnoty do předávacího protokolu.

8.5 Příprava základu

- ▶ Dbejte, aby byl základ čistý, suchý, pevný, bez nečistot a mastnoty.
- ▶ Zajistěte, aby z podlahy nevyčnívaly ostré nebo špičaté předměty. Ty mohou poškodit topný vodič.
- ▶ V případě nerovností proveďte nivelační práce tak, aby pod topným vodičem nezůstávaly prázdné prostory. Vyrovnávací spáry v podlaze nesmějí být přemostovány topnou rohoží.

9. Montáž

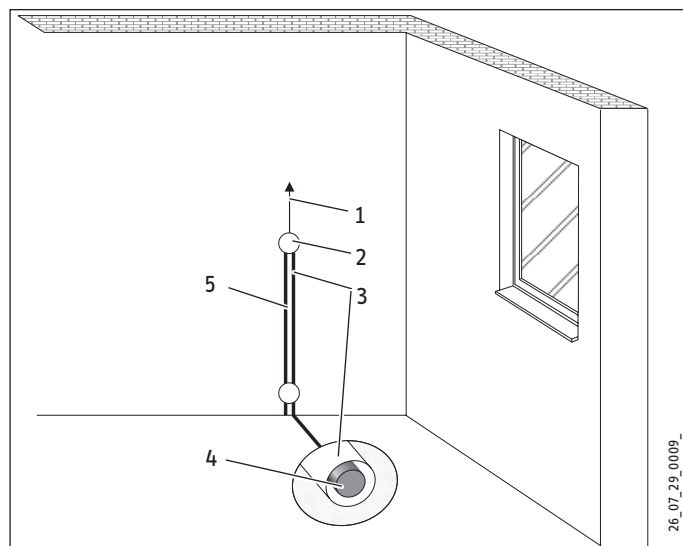
9.1 Instalace krabice pod omítku

Všechny přívodní vodiče je nutné zavést do krabice pod omítku tak, aby je bylo možné připojit k regulátoru teploty.



Věcné škody

V koupelnách a vlhkých místnostech smíte instalovat krabici pod omítku pouze mimo ochrannou oblast 2.



- 1 Přívodní vedení k rozvaděči (NYM 3x1,5 mm²)
- 2 Krabice pod omítku
- 3 Průchodka pro snímač teploty
- 4 Snímač teploty
- 5 Studený vodič/průchodka pro studený vodič

- ▶ Vyberte vhodnou pozici pro instalaci krabice pod omítku.
- ▶ Pokud si přejete použít několik topných rohoží, instalujte další krabici pod omítku navíc.
- ▶ Instalujte vždy jednu doplňkovou krabici pod omítku, pokud je studený vodič nebo vodič snímače teploty příliš krátký.

9.2 Instalace snímače teploty

Snímač teploty musíte instalovat do průchodky. Ve variantě Set je průchodka součástí dodávky.

- ▶ Vyberte vhodnou pozici k instalaci průchodky. Dodržujte přitom pokyny uvedené v kapitole „Plán pokládky/umístění snímače teploty“.
- ▶ Instalujte průchodku a zaveďte snímač teploty do průchodky.

9.3 Pokládka studeného vodiče

Instalujte studený vodič do průchodky nebo v jedné rovině s podlahou v drážce v potěru.

9.3.1 Instalace do průchodky



Věcné škody

Studený vodič je nutné instalovat do samostatné průchodky. Studený vodič a vodič snímače teploty nesmějí být vedeny ve společné průchodce.

- ▶ Nainstalujte další průchodku a zaveďte studený vodič do průchodky.
- ▶ Dbejte, aby nebylo spojovací hrdlo teplého/studeného vodiče zatíženo v tahu silou větší než 120 N.

9.3.2 Instalace do podlahy



Věcné škody

Studený vodič musí být možné v případě instalace do podlahy zavést bez prodloužení do krabice pod omítku. Studený vodič nesmí křížit topný kabel, ani se jej dotýkat.

- ▶ Vhodnými nástroji vysekejte drážku v potěru a položte do drážky studený vodič.
- ▶ Dbejte, aby nebylo spojovací hrdlo teplého/studeného vodiče zatíženo v tahu silou větší než 120 N.

9.4 Úprava topné rohože



Věcné škody

Topné vodiče topné rohože nesmíte zkracovat, zalamovat nebo přivířit. Studený vodič můžete zkrátit nebo nastavit, pokud přitom nedojde ke změně průřezu.



Věcné škody

- ▶ K upevnění topné rohože k podlaze nepoužívejte hřebíky a jiné kovové předměty.
- ▶ Na topnou rohož smíte stoupnout, pouze pokud je to nezbytně nutné. Proveďte případná preventivní opatření proti mechanickému poškození (např. obuv s gumovými podrážkami).

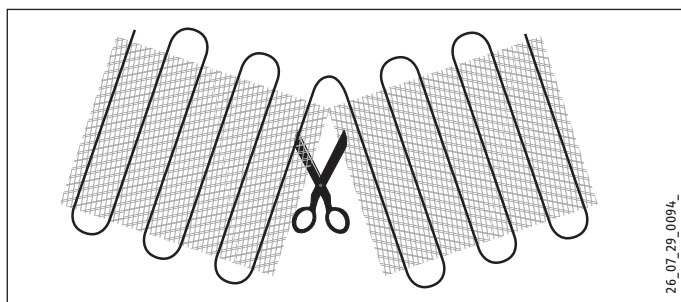


Věcné škody

- ▶ Nepokládejte topnou rohož do izolačního nebo tepelně izolačního materiálu nebo pod něj.
- ▶ Instalovaná topná rohož nesmí křížit dilatační spáry v podlaze.
- ▶ Neinstalujte v oblasti topné rohože žádný průchozí spojovací materiál, např. šrouby s hmoždinkou pro dveřní zarážku, upevnění mísy WC.

U následujících kroků dodržujte pozice topné rohože uvedené v plánu instalace.

Položte topnou rohož podle plánu instalace. Samolepicí strana musí směřovat dolů.



- ▶ Odstrihněte nůžkami v místě ohybu nosnou textilii topné rohože. Dávejte přitom pozor, abyste nůžkami nedopatřením nepoškodili topný vodič.



Věcné škody

Poloměr ohybu topného kabelu musí být nejméně 18 mm. Nejmenší přípustný poloměr ohybu je 6násobek průměru topného kabelu.

- ▶ V místě stříhu topný vodič opatrně ohněte.
- ▶ Dodržujte minimální vzdálenosti (viz kapitola „Příprava/bezpečnostní vzdálenosti“).
- ▶ Zajistěte, aby vodič snímače teploty nekřížil topný kabel ani se jej nedotýkal, a umístěte teplotní snímač uprostřed mezi dvě smyčky topného kabelu.
- ▶ Dbejte, aby topné rohože neležely na sobě. Topné rohože umístěné na sobě mohou způsobit závady.
- ▶ Zkontrolujte, zda je tkanina položena bez ohybů.
- ▶ Pevně přitlačte topnou rohož k podlaze.

9.5 Kontrolní měření 2

Po rozložení topné rohože je nutné zkontrolovat celkový odpor a izolační odpor topné rohože, vyloučíte tak poškození topné rohože.



Upozornění

Bez dokladu o provedení tohoto měření nelze uplatnit záruku.

- ▶ Změřte celkový odpor a izolační odpor topných rohoží.
- ▶ Zkontrolujte, zda jsou měřené hodnoty v přípustném rozsahu (viz kapitola „Technické údaje/Tabulka technických údajů“).
- ▶ Zapište naměřené hodnoty do předávacího protokolu.
- ▶ Při zjištění odchylek v naměřených hodnotách poškozenou topnou rohož vyměňte.

9.6 Pokládka podlahové krytiny



Věcné škody

Používejte pouze lepidlo na obklady a nivelační hmotu, které jsou vhodné pro podlahová topení a které mají trvalou odolnost proti teplotám minimálně 80 °C.



Věcné škody

Dodržujte při nanášení lepidla na obklady a nivelační hmoty údaje výrobce o době schnutí a další údaje výrobce.

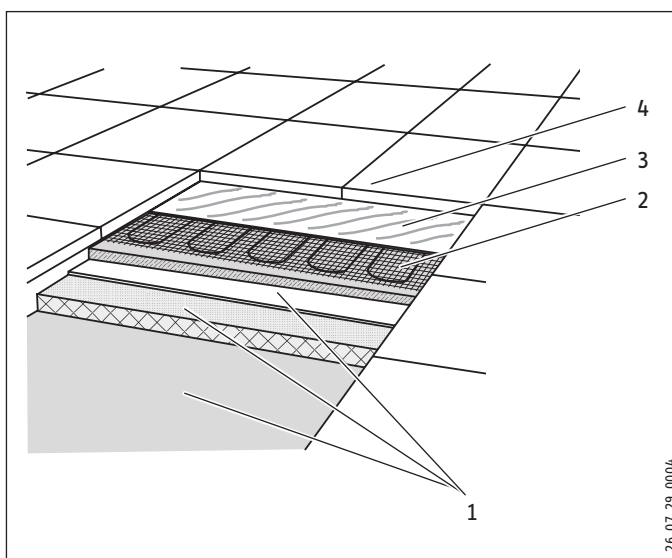


Upozornění

V závislosti na vlhkosti v objektu musíte minimálně 3 dny počkat, než budete moci začít s pokládkou podlahové krytiny.

9.6.1 Dlažba

- ▶ Vyberte vhodné lepidlo na dlažbu nebo případně vhodnou nivelační hmotu. Pamatujte, že materiály musejí být odolné proti trvalému tepelnému zatížení minimálně 80 °C.
- ▶ Uzavřete průchodky, aby se při pokládce topných rohoží nedostalo do průchodků žádné lepidlo na dlažbu.



- 1 Podklad s tepelnou izolací
- 2 Topná rohož s topným vodičem
- 3 Lepidlo na dlažbu
- 4 Podlahová krytina

- ▶ Naneste lepidlo na dlažbu a případně nivelační hmotu. Dávejte pozor, abyste nepoškodili topný vodič.
- ▶ Zajistěte, aby byl topný vodič po celém obvodu a po celé délce obklopen lepidlem na dlažbu.
- ▶ Po nanesení lepidla na dlažbu případně topnou rohož mírně nadzvedněte. Tím zajistíte, aby se pod topnou rohoží netvořily žádné vzduchové bublinky. Ty mohou způsobit zvyšování teploty.
- ▶ Opět přitlačte topnou rohož do lepidla na dlažbu.
- ▶ Položte dlažbu podle údajů výrobce.

9.6.2 Koberce, PVC, parkety nebo korek

Před zahájením pokládky takových podlahových krytin, jako jsou koberce, PVC nebo korek, musíte pokrýt topnou rohož po celé ploše nivelační hmotou.

Nivelační hmota zajišťuje mechanickou ochranu topných rohoží. Vhodnými materiály jsou např. řídké cementové malty.

- ▶ Vyberte vhodnou nivelační hmotu. Pamatujte, že musí mít odolnost proti trvalému tepelnému zatížení minimálně 80 °C.
- ▶ Uzavřete průchodky, aby se při pokládce topných rohoží nedostala nivelační hmota do průchodků.
- ▶ Naneste nivelační hmotu o tloušťce 5-10 mm. Dávejte pozor, abyste nepoškodili topný vodič.
- ▶ Zajistěte, aby byl topný vodič po celém obvodu a po celé délce obklopen nivelační hmotou.
- ▶ Po nanesení nivelační hmoty případně topnou rohož mírně nadzvedněte. Tím zajistíte, aby se pod topnou rohoží netvořily žádné vzduchové bublinky. Ty mohou způsobit zvyšování teploty.
- ▶ Opět přitlačte topnou rohož do nivelační hmoty.
- ▶ Nechejte nivelační hmotu zatvrdnout v souladu s pokyny výrobce.
- ▶ Vyplňte pohybové spáry vhodnými materiály, např. silikonem.
- ▶ Položte podlahovou krytinu v souladu s pokyny výrobce.

9.7 Kontrolní měření 3

Po provedení pokládky podlahové krytiny je nutné zkontrolovat celkový odpor a izolační odpor topné rohože. Vyloučíte tak poškození topných rohoží.



Upozornění

Bez dokladu o provedení tohoto měření nelze uplatnit záruku.

- ▶ Změřte celkový odpor a izolační odpor topných rohoží.
- ▶ Zkontrolujte, zda jsou měřené hodnoty v přípustném rozsahu (viz kapitola „Technické údaje/Tabulka technických údajů“).
- ▶ Zapište naměřené hodnoty do předávacího protokolu.

9.8 Elektrická přípojka



VÝSTRAHA elektrický proud
Veškerá elektrická zapojení a instalace provádějte podle předpisů.
Dodržujte místní předpisy příslušných dodavatelů energie.



VÝSTRAHA elektrický proud
Přípojka k elektrické síti smí být provedena pouze jako pevná přípojka.

- ▶ Odpojte přístroj od síťové přípojky pomocí přidavného zařízení s rozpojovací vzdáleností minimálně 3 mm na všech pólech. K tomuto účelu použijte např. spínače LS, pojistky nebo stykače.
- ▶ Instalujte ochranný spínač FI se jmenovitým chybovým proudem ≤ 30 mA.



Věcné škody

- Topný vodič nesmíte připojit k síťové přípojce.
- ▶ K síťové přípojce připojte pouze studený vodič.

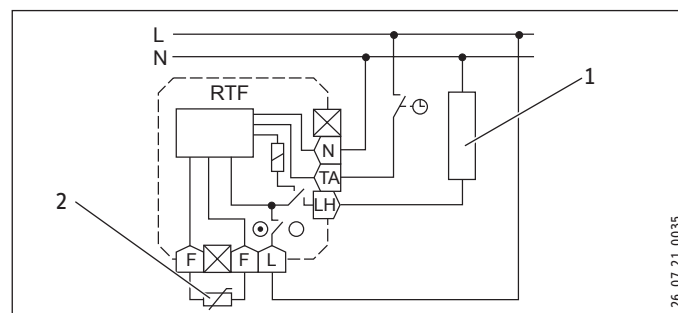


Věcné škody

- Dodržujte údaje uvedené na typovém štítku. Uvedené napětí se musí shodovat se síťovým napětím.
- Dimenzujte všechny provozní prostředky v souladu se jmenovitým příkonem přístroje.

Princip schématu zapojení (na příkladu regulátoru teploty RTF)

Následující principiální schéma zapojení slouží k ilustračním účelům. Platné je pouze schéma zapojení regulátoru teploty (viz návod k obsluze a instalaci regulátoru teploty).



- 1 Topná rohož
- 2 Snímač teploty

Dodržujte následující montážní postup a také návod k obsluze a instalaci regulátoru teploty:

- ▶ Připojte přípojku ochranného vodiče k zemnicí přípojce (PE).
- ▶ Připojte topné rohože k regulátoru teploty prostřednictvím studeného vodiče.
- ▶ Zkontrolujte, zda je správně připojen ochranný vodič.

9.8.1 Připojení několika topných rohoží



Věcné škody

Připojujte několik topných rohoží pouze v paralelním zapojení.

- ▶ Dbejte, aby celkový proud nepřekročil maximální spínací proud a spínací výkon regulátoru teploty.
- ▶ Informace naleznete v návodu k obsluze a instalaci regulátoru teploty.

10. Uvedení do provozu

10.1 První uvedení do provozu

Po provedení pokládky topné rohože a nanesení lepidla na dlažbu nebo nivelační hmoty musíte minimálně 2 dny počkat, než budete moci topnou rohož poprvé zapnout.

- ▶ Zapínejte topnou rohož po uplynutí této první fáze vysoušení po několik dní vždy na krátkou dobu. Tím zajistíte pomalé tvrdnutí lepidla na dlažbu a nivelační hmoty.
- ▶ Pokud jste položili plastové krytiny utěsněné proti difuzi, musíte podlahu vyhřívat po dobu cca 36 hodin. Zajistíte tak, že v podlaze nezůstane žádná zbytková vlhkost.



Upozornění

Skutečné uvedení do provozu smíte provést až za 5 dní po dokončení podlahy.

10.2 Protokol o uvedení do provozu

- ▶ Zkontrolujte, zda jste správně vyplnili předávací protokol a plán pokládky. Dodržujte následující pokyny:
 - Z plánu pokládky musí vyplývat přesné umístění topných rohoží, studeného vodiče a snímače teploty.
 - V předávacím protokolu musejí být uvedeny hodnoty naměřené ve všech třech kontrolních měřeních.
- ▶ Zapište celkový naměřený odpor a izolační odpor na obě nálepky typového štítku.
- ▶ Nalepte nálepku s typovým štítkem pro předávací protokol na příslušné místo na předávacím protokolu.
- ▶ Nalepte nálepku s typovým štítkem pro hlavní rozvodnou skříňku na dobře viditelné místo v hlavní rozvodné skříňce.

11. Předání přístroje

Vysvětlte uživateli funkce přístroje. Upozorněte jej především na bezpečnostní pokyny.

Předejte uživateli tento návod k obsluze a instalaci.

Předejte uživateli záruční kartu a schéma instalace.

12. Technické údaje

12.1 Tabulka údajů

		FTM 150 B	FTM 225 B	FTM 300 B	FTM 375 B	FTM 450 B
		234548	234549	234550	234551	234552
Elektrotechnické údaje						
Příkon	W	135	220	300	380	470
Síťová přípojka		1/N/PE ~ 230 V	1/N/PE ~ 230 V	1/N/PE ~ 230 V	1/N/PE ~ 230 V	1/N/PE ~ 230 V
Elektrický odpor (+10/-5 %)	Ω	351	236	164	147	105
Rozměry						
Délka	mm	2000	3000	4000	5000	6000
Šířka	mm	500	500	500	500	500
Plocha	m ²	1	1,5	2	2,5	3
Provedení						
Krytí (IP)		IPX7	IPX7	IPX7	IPX7	IPX7
Hodnoty						
Jmenovitá mezní teplota topného prvku	°C	80	80	80	80	80

		FTM 600 B	FTM 750 B	FTM 900 B	FTM 1050 B
		234553	234554	234555	234556
Elektrotechnické údaje					
Příkon	W	650	815	930	1040
Síťová přípojka		1/N/PE ~ 230 V	1/N/PE ~ 230 V	1/N/PE ~ 230 V	1/N/PE ~ 230 V
Elektrický odpor (+10/-5 %)	Ω	87	67	55	48
Rozměry					
Délka	mm	8000	10000	12000	14000
Šířka	mm	500	500	500	500
Plocha	m ²	4	5	6	7
Provedení					
Krytí (IP)		IPX7	IPX7	IPX7	IPX7
Hodnoty					
Jmenovitá mezní teplota topného prvku	°C	80	80	80	80

Předávací protokol

Zákazník

Jméno

Ulice

PSČ/město

Telefon

Zadavatel

Elektroinstalatér

Datum pokládky

Datum instalace

Razítko firmy

Montáž

Cementový potěr

Dřevěná podlaha



Typový štítek

Předávací protokol

Záruční list je k výrobku dodáván samostatně.

Izolační odpor musí být $> 1 \text{ M ohm}$.

Kontrolní měření 1 (ve stavu při dodání)

Datum

Podpis

Před instalací topné rohože byly změřeny následující hodnoty:

Celkový odpor _____ ohmů

Izolační odpor _____ M ohmů

Kontrolní měření 2 (po rozvinutí topné rohože)

Datum

Podpis

Po rozložení topné rohože byly změřeny následující hodnoty:

Celkový odpor _____ ohmů

Izolační odpor _____ M ohmů

Kontrolní měření 3 (po pokládce podlahové krytiny)

Datum

Podpis

Po provedení pokládky podlahové krytiny byly změřeny následující hodnoty:

Celkový odpor _____ ohmů

Izolační odpor _____ M ohmů

Plán pokládky

Pořidte přesný náčrt místnosti, položených topných rohoží a podlahového snímače.

	1	2	3	4	5	6	7	8	9	10	11	12	13	14	15	16	17	18	19	20	21	22	23	24	25	26	27	28	29	30	31	32	33	34	35	36	
1																																					
2																																					
3																																					
4																																					
5																																					
6																																					
7																																					
8																																					
9																																					
10																																					
11																																					
12																																					
13																																					
14																																					
15																																					
16																																					
17																																					
18																																					
19																																					
20																																					
21																																					
22																																					
23																																					
24																																					
25																																					
26																																					
27																																					
28																																					
29																																					
30																																					
31																																					
32																																					
33																																					
34																																					
35																																					
36																																					
37																																					
38																																					
39																																					
40																																					

Datum instalace:

Model:

Celkový odpor (Ω):

Izolační odpor ($M\Omega$):

Pojistka (A):

Ochranný spínač FI (mA):



Záruka

Pro přístroje nabyté mimo území Německa neplatí záruční podmínky poskytované našimi firmami v Německu. V zemích, ve kterých některá z našich dceřiných společností distribuuje naše výrobky, poskytuje záruku jenom tato dceřiná společnost. Takovou záruku lze poskytnout pouze tehdy, pokud dceřiná společnost vydala vlastní záruční podmínky. Jinak nelze záruku poskytnout.

Na přístroje zakoupené v zemích, ve kterých nejsou naše výrobky distribuovány žádnou z dceřiných společností, neposkytujeme žádnou záruku. Případné záruky závazně přislíbené dovozcem zůstávají proto nedotčené.

Životní prostředí a recyklace

Pomozte nám chránit naše životní prostředí. Materiály po použití zlikvidujte v souladu s platnými národními předpisy.

СПЕЦИАЛЬНЫЕ УКАЗАНИЯ

ЭКСПЛУАТАЦИЯ

1.	Общие указания	26
1.1	Указания по технике безопасности	27
1.2	Другие обозначения в данной документации	27
1.3	Указания касательно прибора	27
1.4	Единицы измерения	27
2.	Техника безопасности	27
2.1	Использование по назначению	27
2.2	Общие указания по технике безопасности	27
2.3	Знак технического контроля	27
3.	Чистка, уход и техническое обслуживание	28
4.	Устранение неисправностей	28

УСТАНОВКА

5.	Техника безопасности	28
5.1	Общие указания по технике безопасности	28
5.2	Предписания, стандарты и положения	28
6.	Описание устройства	28
6.1	Комплект поставки	29
6.2	Гарантийная карта / Схема укладки	29
7.	Подготовительные мероприятия	29
7.1	Место монтажа / Условия монтажа	29
7.2	Безопасное расстояние до прибора	29
7.3	Схема укладки	30
7.4	Контрольный замер 1	30
7.5	Подготовка основания	30
8.	Монтаж	30
8.1	Установка электрической розетки скрытого монтажа	30
8.2	Прокладка температурного датчика	31
8.3	Прокладка холодного конца кабеля	31
8.4	Укладка нагревательного мата	31
8.5	Контрольный замер 2	32
8.6	Укладка покрытия пола	32
8.7	Контрольный замер 3	33
8.8	Электрическое подключение	33
9.	Ввод в эксплуатацию	34
9.1	Первый ввод в эксплуатацию	34
9.2	Протокол ввода в эксплуатацию	34
10.	Приемка/передача	34
11.	Технические характеристики	34
11.1	Таблица параметров	34

ГАРАНТИЯ

ЗАЩИТА ОКРУЖАЮЩЕЙ СРЕДЫ И УТИЛИЗАЦИЯ

СПЕЦИАЛЬНЫЕ
УКАЗАНИЯ

- Детям старше 8 лет, а также лицам с ограниченными физическими, сенсорными и умственными способностями, не имеющим опыта и не владеющим информацией о приборе, разрешено использовать прибор только под присмотром других лиц или после соответствующего инструктажа о правилах безопасного пользования и потенциальной опасности в случае несоблюдения этих правил. Не допускать шалостей детей с прибором. Дети могут выполнять чистку прибора и те виды технического обслуживания, которые обычно производятся пользователем, только под присмотром взрослых.
- Разрешено только неразъемное подключение к электросети. Прибор должен отключаться от сети с размыканием всех контактов не менее 3 ММ на всех полюсах.
- Право выполнить замену кабеля питания имеет только квалифицированный специалист, для замены использовать только оригинальный кабель.
- Выполнить крепление прибора согласно указаниям главы «Монтаж / Подготовительные работы».

ЭКСПЛУАТАЦИЯ

1. Общие указания

Главы «Специальные указания» и «Эксплуатация» предназначены для пользователя и специалиста.

Глава «Установка» предназначена для специалиста.




Указание



Перед началом эксплуатации следует внимательно прочитать данное руководство и сохранить его. При необходимости передать настоящее руководство следующему пользователю.

1.1 Указания по технике безопасности

1.1.1 Структура указаний по технике безопасности

 **СИГНАЛЬНОЕ СЛОВО** Вид опасности
Здесь приведены возможные последствия несоблюдения указания по технике безопасности.
▶ Здесь приведены мероприятия по предотвращению опасности.


1.1.2 Символы, вид опасности



Символ	Вид опасности
	Травма
	Поражение электрическим током

1.1.3 Сигнальные слова

СИГНАЛЬНОЕ СЛОВО	Значение
ОПАСНОСТЬ	Указания, несоблюдение которых приводит к серьезным травмам или к смертельному исходу.
ПРЕДУПРЕЖДЕНИЕ	Указания, несоблюдение которых может привести к серьезным травмам или к смертельному исходу.
ОСТОРОЖНО	Указания, несоблюдение которых может привести к травмам средней тяжести или к легким травмам.


1.2 Другие обозначения в данной документации

 **Указание**
Общие указания обозначены приведенным рядом с ними символом.
▶ Внимательно прочитайте тексты указаний.


Символ	Значение
	Материальный ущерб (повреждение оборудования, косвенный ущерб и ущерб для окружающей среды)
	Утилизация устройства

▶ Этот символ указывает на необходимость выполнения определенных действий. Описание необходимых действий приведено шаг за шагом.

1.3 Указания касательно прибора

Символ	Значение
	Панельное отопление в полу (прямого действия)

1.4 Единицы измерения

 **Указание**
Если не указано иное, все размеры приведены в миллиметрах.

2. Техника безопасности


2.1 Использование по назначению


Нагревательный мат представляет собой элемент прямого обогрева пола и служит для поддержания равномерной температуры пола в отдельных зонах, например, в ванных комнатах, кухнях, предбанниках, коридорах и других помещениях жилых зданий, а также в крытых бассейнах и других влажных помещениях.

Прибор предназначен для бытового использования. Для его безопасного обслуживания пользователю не требуется проходить инструктаж. Возможно использование прибора не только в быту, но и, например, на предприятиях малого бизнеса при условии соблюдения тех же условий эксплуатации.

Любое иное или не указанное в настоящем руководстве использование данного устройства считается использованием не по назначению. Использование по назначению подразумевает соблюдение требований настоящего руководства, а также руководств к используемым принадлежностям.


2.2 Общие указания по технике безопасности

 **ПРЕДУПРЕЖДЕНИЕ** травма
Детям старше 8 лет, а также лицам с ограниченными физическими, сенсорными и умственными способностями, не имеющим опыта и не владеющим информацией о приборе, разрешено использовать прибор только под присмотром других лиц или после соответствующего инструктажа о правилах безопасного пользования и потенциальной опасности в случае несоблюдения этих правил. Не допускать шалостей детей с прибором. Дети могут выполнять чистку прибора и те виды технического обслуживания, которые обычно производятся пользователем, только под присмотром взрослых.

 **Материальный ущерб**
Использовать нагревательный мат следует только в полностью собранном виде со всеми установленными предохранительными устройствами.

2.3 Знак технического контроля

См. заводскую табличку с паспортными данными на приборе.

 **Евразийское соответствие**
Данный прибор соответствует требованиям безопасности технического регламента Таможенного союза и прошел соответствующие процедуры подтверждения соответствия.

Настройки

Настройку нужной температуры пола можно производить с помощью внешнего терморегулятора.

Температура нагрева пола зависит от конструкции пола и вида покрытия пола. Необходимо соблюдать указания, содержащиеся в руководстве по эксплуатации и установке терморегулятора.

2.3.1 Терморегулятор с таймером

Установка терморегулятора с таймером обеспечивает работу в энергосберегающем режиме.

Благодаря терморегулятору с таймером можно настроить обогрев согласно своему режиму, для этого нужно задать время включения и выключения нагревательного мата.

- ▶ При этом настраивать время работы нужно так, чтобы время включения устройства несколько опережало начало пользования помещением. Длительность этого периода зависит от конструкции пола и вида покрытия пола.
- ▶ Настраивать время выключения следует так, чтобы устройство отключилось примерно за полчаса до конца пользования помещением.

Дальнейшие указания приведены в руководстве по эксплуатации и установке терморегулятора.

3. Чистка, уход и техническое обслуживание

Нагревательный мат не нуждается в специальном техобслуживании.

4. Устранение неисправностей

Проблема	Причина	Способ устранения
Нагревательный мат не обеспечивает заданной мощности нагрева.	Неправильно настроен терморегулятор.	Установить на терморегуляторе максимальную степень нагрева. Через некоторое время следует проверить, нагревается ли пол.
	Для терморегуляторов с таймером: Неправильно установлено время работы.	Проверить время работы, установленное на таймере, при необходимости, откорректировать.
	Отсутствует напряжение.	Проверить, не сработали ли предохранители домашней электрической сети.

Если невозможно устранить эту неисправность самостоятельно, нужно пригласить специалиста. Чтобы специалист смог оперативно помочь, следует сообщить ему номер прибора с заводской таблички (000000-0000-000000).

Заводская табличка находится на гарантийной карте в настоящем руководстве по эксплуатации а также в главной соединительной коробке.

УСТАНОВКА


5. Техника безопасности


Установка, ввод в эксплуатацию, а также техобслуживание и ремонт устройства должны производиться только квалифицированным специалистом.


5.1 Общие указания по технике безопасности

Безупречная работа прибора и безопасность эксплуатации гарантируются только при использовании соответствующих оригинальных принадлежностей и оригинальных запчастей.

5.2 Предписания, стандарты и положения

 **Материальный ущерб**
Запрещается укладывать нагревательный мат на легко или нормально воспламеняющиеся материалы.

 **Материальный ущерб**
Запрещается включать нагревательный мат в свернутом состоянии.

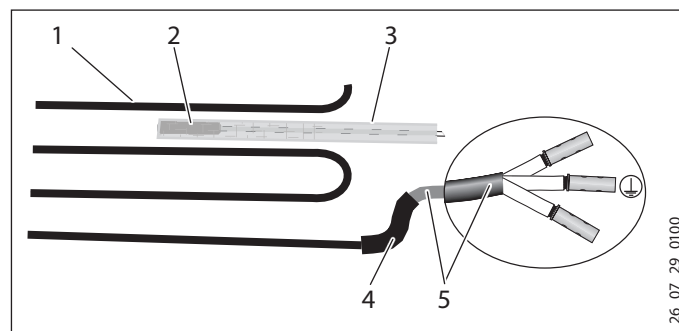
 **Указание**
Необходимо соблюдать все общегосударственные и региональные предписания и положения.

6. Описание устройства

Нагревательный мат является элементом обогрева поверхностей. Нагревательный мат состоит из нагревательного кабеля, который змейкой проложен по самоклеящейся ткани.

Нагревательный мат приклеивается непосредственно на стяжку или на выравнивающий слой (например, к самовыравнивающемуся полу). Тепло, излучаемое нагревательным матом, передается непосредственно полу.

Настройка нужной температуры пола производится посредством внешнего терморегулятора. Терморегулятор оснащен температурным датчиком. Датчик температуры должен быть установлен в плоскости нагрева.



- 1 Нагревательный элемент
- 2 Датчик температуры
- 3 Полая трубка (монтажная трубка для датчика температуры)
- 4 Соединительная муфта нагревательного кабеля / холодного конца кабеля
- 5 Холодный конец кабеля (соединительная линия)

Включение и выключение нагревательного мата производится в зависимости от температуры пола, установленной на терморегуляторе.

Терморегулятор учитывает получение тепла, например, от солнечных лучей или освещения и осуществляет защиту от замерзания.

Контроль терморегулятора производится автоматически. При перебоях электропитания, повреждении датчика или коротком замыкании в цепи датчика происходит автоматическое отключение отопления.

6.1 Комплект поставки

- Нагревательный мат
- Две наклеиваемые заводские таблички (гарантийная карта / главная соединительная коробка)

6.2 Гарантийная карта / Схема укладки

Гарантийную карту и схему укладки необходимо заполнить полностью. Без этого подтверждающего документа гарантия аннулируется.

Указания по заполнению плана укладки см. в главе «Подготовительные мероприятия».

7. Подготовительные мероприятия

7.1 Место монтажа / Условия монтажа



Материальный ущерб
Запрещается монтаж нагревательного мата при температурах ниже 5 °С.



Указание
В новых зданиях необходимо учесть время на высыхание стяжки 4-6 недель. Устанавливать нагревательный мат можно только по истечении этого времени.

7.1.1 Основание



Материальный ущерб
Нагревательный мат разрешено укладывать только на пол. Запрещается использовать стены и потолки в качестве поверхностей для монтажа.

Нагревательный мат можно укладывать на различные основания, например, цементную стяжку, горячий асфальт или влагостойкие древесно-стружечные плиты. Для этого необходимо соблюдать следующие указания:

- Укладка на горячий асфальт: основание должно быть теплостойким примерно до 80 °С.
- Укладка на древесно-стружечные плиты: Для наилучшей изоляции от ударного шума можно дополнительно уложить подходящие звукоизоляционные плиты.
- Сильно пылящие поверхности из раствора следует обработать клеевой дисперсией.

Теплоизоляция

Между «черновым» полом и нагревательным матом необходимо устроить теплоизоляцию.

- ▶ Следует убедиться, что теплоизоляция соответствует современному уровню развития техники.

7.1.2 Ванные и душевые комнаты

Запрещается укладывать нагревательный мат на поверхностях, которые предназначены для монтажа санитарно-технического оборудования: ванн, напольных унитазов и т.д.

7.1.3 Покрытия полов

Нагревательный мат рассчитан на различные виды покрытий полов, например, керамическую плитку, ковровые покрытия, ПВХ или паркет.



Материальный ущерб
Следует пользоваться только напольными покрытиями, которые подходят для использования с панельным отоплением в полу.

Следует учесть, что различные виды напольных покрытий в зависимости от вида и толщины материала характеризуются различными показателями теплопроводности:

Напольное покрытие	Макс. толщина	Теплопроводность
Керамическая плитка	30 ММ	$\lambda = 1,00 \text{ Вт}/(\text{м} \cdot \text{К})$
Ковровое покрытие	20 ММ	$\lambda = 0,09 \text{ Вт}/(\text{м} \cdot \text{К})$
Паркет	16 ММ	$\lambda = 0,14 \text{ Вт}/(\text{м} \cdot \text{К})$
ПВХ	10 ММ	$\lambda = 0,23 \text{ Вт}/(\text{м} \cdot \text{К})$
Пробка	10 ММ	$\lambda = 0,08 \text{ Вт}/(\text{м} \cdot \text{К})$

7.1.4 Покрытие пола

Дополнительные покрытия пола, например, ковры, могут привести к повышению температуры пола.

- ▶ Запрещается пользоваться покрытиями толщиной более 10 ММ.

7.2 Безопасное расстояние до прибора



Материальный ущерб
Шкафы, стоящие на полу всей нижней поверхностью, запрещается устанавливать на отапливаемые поверхности пола.

- ▶ Следует убедиться, что вдоль стен оставлена неотапливаемая полоса шириной 60 см.
- ▶ Следует убедиться, что до любых электропроводящих материалов соблюдается минимальное расстояние 30 мм.



Материальный ущерб
Нагревательные кабели параллельно уложенных нагревательных матов не должны касаться друг друга.

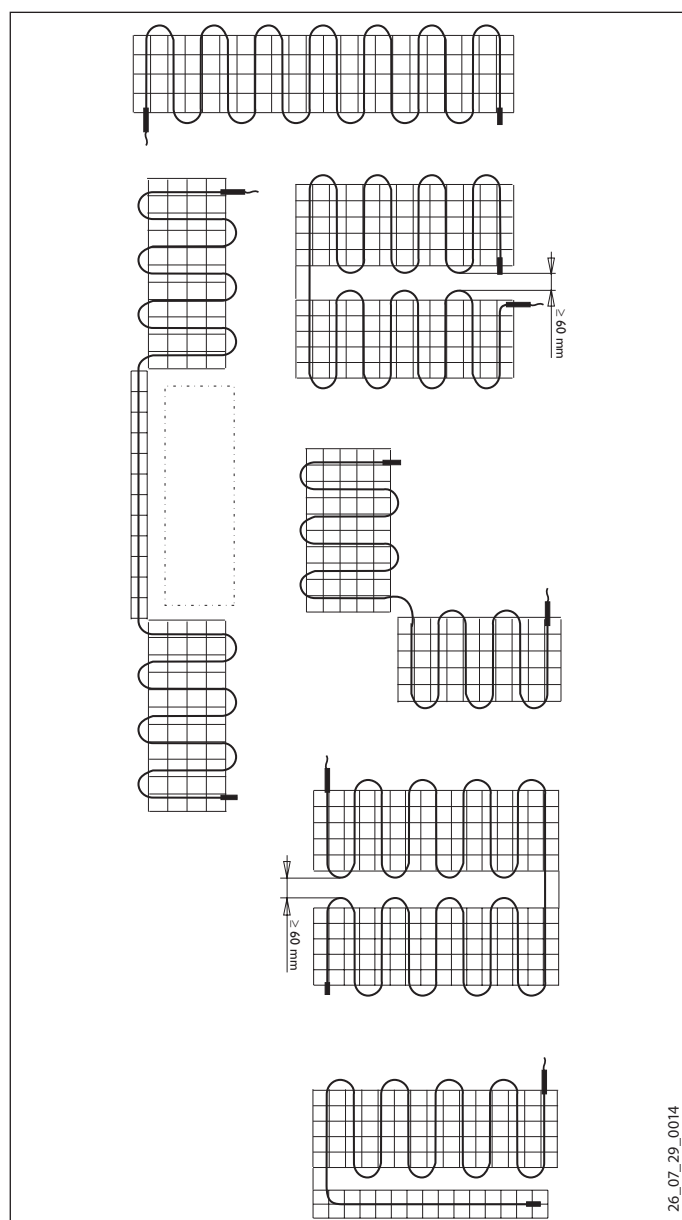
- ▶ Следует убедиться, что при параллельной укладке нагревательных матов соблюдается минимальное расстояние 50 мм.

7.3 Схема укладки

Перед монтажом нагревательного мата необходимо составить схему укладки. Необходимо соблюдать по этому вопросу положения глав «Примеры укладки» и «Безопасные расстояния».

- ▶ Следует начертить схему укладки нагревательных матов, неотапливаемой полосы, температурного датчика и холодного конца кабеля.

7.3.1 Примеры прокладки



7.3.2 Положение температурного датчика

- Температурный датчик должен располагаться непосредственно под нагревательным матом и примерно на расстоянии 100 мм от края нагревательного мата.
- Температурный датчик должен располагаться посередине между двумя петлями нагревательного провода.
- Провод температурного датчика не должен пересекать провод нагревательного кабеля или касаться его.

7.4 Контрольный замер 1

Перед монтажом следует проверить общее сопротивление и сопротивление изоляции нагревательных матов в состоянии на момент поставки.



Указание
Без документа, подтверждающего это измерение, гарантия аннулируется.

- ▶ Замерить общее сопротивление и сопротивление изоляции нагревательного мата.
- ▶ Проверить, находятся ли измеренные значения в допустимом диапазоне измерений (см. главу «Технические характеристики / Таблица параметров»).
- ▶ Внести измеренные значения в гарантийную карту.

7.5 Подготовка основания

- ▶ Убедиться, что основание чистое, сухое, прочное, свободное от загрязнений и обезжиренное.
- ▶ Убедиться в отсутствии острых краев или остроконечных предметов, выступающих из-под пола. Они могут повредить нагревательный провод.
- ▶ Произвести выравнивание неровностей во избежание оставления пустот под нагревательным кабелем. Запрещается перекрывать нагревательным матом деформационные швы в основании.

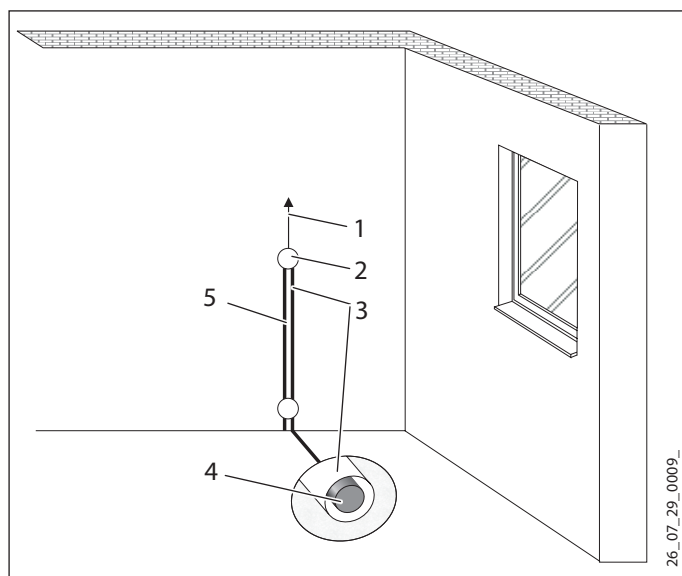
8. Монтаж

8.1 Установка электрической розетки скрытого монтажа

Все соединительные линии должны быть подведены к электрической розетке скрытого монтажа, чтобы подключить к ней терморегулятор.



Материальный ущерб
В ванных комнатах и влажных помещениях разрешается устанавливать электрическую розетку скрытого монтажа только за пределами зоны безопасности 2.



- 1 Провод подключения к распределителю (NYM 3x15 ММ²)
- 2 Электрическая розетка скрытого монтажа
- 3 Полая трубка для датчика температуры
- 4 Датчик температуры
- 5 Холодный конец кабеля / полая трубка для холодного конца кабеля

- ▶ Выбрать подходящее положение для установки электрической розетки скрытого монтажа.
- ▶ Установить дополнительную розетку скрытого монтажа, если необходимо подключить несколько нагревательных матов.
- ▶ Устанавливать дополнительную розетку скрытого монтажа в каждом случае, когда холодный конец кабеля или провод датчика температуры слишком короткий.

8.2 Прокладка температурного датчика

Датчик температуры должен быть установлен в полую трубку. В варианте поставки в комплекте полая трубка входит в комплект поставки.

- ▶ Выбрать подходящее положение для прокладки полую трубки. Следует учитывать указания в главе «План прокладки / положение температурного датчика».
- ▶ Уложить полые трубки и пропустить провод датчика температуры и холодный конец кабеля в соответствующие полые трубки.

8.3 Прокладка холодного конца кабеля

Холодный конец кабеля можно проложить внутри полую трубки или в полу заподлицо в канавке в растворяющей стяжке.

8.3.1 Прокладка в полую трубку

- ! **Материальный ущерб**
Необходимо проложить холодный конец кабеля в отдельной полую трубку. Холодный конец кабеля и провод температурного датчика не должны находиться в общей полую трубку.

- ▶ Проложить дополнительную полую трубку и пропустить холодный конец кабеля в полую трубку.
- ▶ Убедиться в том, что на соединительную муфту нагревательного кабеля / холодного конца кабеля действуют растягивающие усилия не более 120 Н.

8.3.2 Прокладка в полу

- ! **Материальный ущерб**
Холодный конец кабеля необходимо при прокладке в полу включить в розетку скрытого монтажа, не пользуясь удлинителем.
Холодный конец кабеля не должен пересекаться с нагревательным кабелем или касаться его.

- ▶ Простроить подходящим инструментом канавку в растворяющей стяжке и проложить холодный конец кабеля в эту канавку.
- ▶ Убедиться в том, что на соединительную муфту нагревательного кабеля / холодного конца кабеля действуют растягивающие усилия не более 120 Н.

8.4 Укладка нагревательного мата

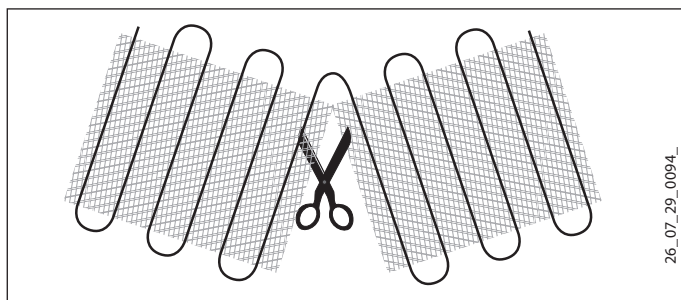
- ! **Материальный ущерб**
Запрещается укорачивать, сминать или перегибать нагревательный кабель нагревательного мата.
Разрешается укорачивать или удлинять холодный конец кабеля, если при этом не меняется его сечение.

- ! **Материальный ущерб**
 - ▶ Для крепления нагревательного мата к полу не пользоваться гвоздями и другими металлическими предметами.
 - ▶ Становиться на нагревательный мат только при крайней необходимости. При необходимости принять меры безопасности против механических повреждений (например, надеть обувь на резиновой подошве).

- ! **Материальный ущерб**
 - ▶ Не укладывать нагревательный мат сквозь звукозащитный или изоляционный материал или под ним.
 - ▶ Уложенный нагревательный мат не должен пересекать деформационные швы в полу.
 - ▶ Не пользоваться в области укладки нагревательного мата никакими крепежными средствами проникающего действия, например, шурупами в дюбелях для дверных стопоров, держателей унитаза

Выполнять указанные шаги в соответствии со схемой укладки нагревательного мата (см. «Описание прибора / Схема укладки»).

- ▶ Укладка нагревательного мата производится в соответствии со схемой укладки. Самоклеящаяся сторона должна быть направлена книзу.



- ▶ Сделать ножницами надрез в месте поворота ткани-подложки нагревательного мата. Следить за тем, чтобы случайно не повредить ножницами нагревательный кабель.

! Материальный ущерб
Радиус изгиба нагревательного кабеля должен составлять не менее 18 мм. Наименьший допустимый радиус изгиба равен 6-кратному диаметру нагревательного провода.

- ▶ Осторожно обвести нагревательный кабель вокруг места надреза.
- ▶ Следует соблюдать минимальные расстояния (см. главу «Подготовительные работы / Безопасные расстояния»)
- ▶ Следует убедиться, что провод датчика температуры не пересекает нагревательный провод и не касается его, и что температурный датчик лежит посередине между двумя петлями нагревательного провода.
- ▶ Следует убедиться, что нагревательные маты не накладываются друг на друга. Расположенные один поверх другого нагревательные маты могут привести к сбою в работе.
- ▶ Убедиться, что ткань уложена без складок.
- ▶ Плотнo прижать нагревательный мат к полу.

8.5 Контрольный замер 2

После укладки нагревательного мата необходимо проверить общее сопротивление и сопротивление изоляции нагревательного мата, чтобы исключить возможность повреждений нагревательного мата.

i Указание
Без документа, подтверждающего это измерение, гарантия аннулируется.

- ▶ Замерить общее сопротивление и сопротивление изоляции нагревательных матов.
- ▶ Проверить, находятся ли измеренные значения в допустимом диапазоне измерений (см. главу «Технические характеристики / Таблица параметров»).
- ▶ Внести измеренные значения в гарантийную карту.
- ▶ При отклонении измеренных величин заменить поврежденный нагревательный мат.

8.6 Укладка покрытия пола

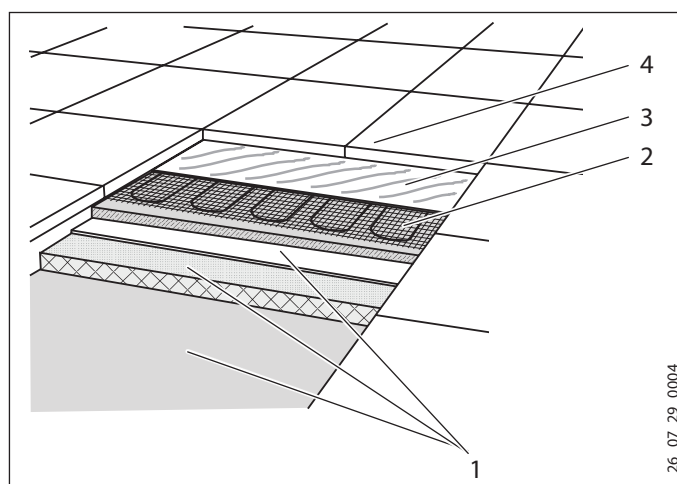
! Материальный ущерб
Пользоваться только плиточным клеем и выравнивающим составом, которые подходят для полов с подогревом и устойчивы к долговременному воздействию температуры не ниже 80 °С.

! Материальный ущерб
Следует соблюдать при нанесении плиточного клея и выравнивающего состава предписания производителя по времени высыхания, а также другие данные производителя.

i Указание
В зависимости от влажности на объекте следует подождать не менее 3 дней, пока можно будет приступить к укладке покрытия пола.

8.6.1 Керамическая плитка

- ▶ Следует выбирать подходящий плиточный клей или, при необходимости, подходящую выравнивающую массу. Следует учитывать, что характеристика устойчивости к долговременному воздействию температуры должна предполагать температуру не ниже 80 °С.
- ▶ Заделать концы полых трубок так, чтобы при укладке нагревательных матов в трубки не попал плиточный клей.



- 1 Основание с теплоизоляцией
- 2 Нагревательный мат с нагревательным кабелем
- 3 Клей для плитки
- 4 Напольное покрытие

- ▶ Нанести плиточный клей и, при необходимости, выравнивающую массу. Следить за тем, чтобы не был поврежден нагревательный кабель.
- ▶ Убедиться, что нагревательный кабель полностью и по всей длине покрыт плиточным клеем.
- ▶ При необходимости слегка приподнять нагревательный мат после нанесения плиточного клея, чтобы убедиться в отсутствии пузырьков воздуха под нагревательным матом. Они могут привести к повышению температуры.

- ▶ Снова вдавить нагревательный мат в слой плиточного клея.
- ▶ Уложить плитки в соответствии с данными производителя.

8.6.2 Ковровое покрытие, ПВХ, паркет или пробка

Перед укладкой напольного покрытия – коврового, ПВХ или пробки – поверх выравнивающей массы необходимо сначала уложить нагревательный мат.

Выравнивающая масса обеспечивает механическую защиту нагревательных матов. Подходящими материалами являются, например, жидкотекучие цементные растворы.

- ▶ Необходимо выбирать подходящий выравнивающий состав. Следует учитывать, что характеристика устойчивости к долговременному воздействию температуры должна предполагать температуру не ниже 80 °С.
- ▶ Заделать концы полых трубок так, чтобы при укладке нагревательных матов в трубки не попала выравнивающая масса.
- ▶ Нанести выравнивающую массу слоем толщиной 5-10 мм. Следить за тем, чтобы не был поврежден нагревательный кабель.
- ▶ Убедиться, что нагревательный кабель полностью и по всей длине покрыт выравнивающей массой.
- ▶ При необходимости слегка приподнять нагревательный мат после нанесения плиточного клея, чтобы убедиться в отсутствии пузырьков воздуха под нагревательным матом. Они могут привести к повышению температуры.
- ▶ Снова вдавить нагревательный мат в слой выравнивающей массы.
- ▶ Дать время выравнивающей массе затвердеть согласно данным производителя.
- ▶ Заполнить деформационные швы подходящим материалом, например, силиконом.
- ▶ Уложить напольное покрытие в соответствии с данными производителя.

8.7 Контрольный замер 3

После укладки нагревательного мата необходимо проверить общее сопротивление и сопротивление изоляции нагревательного мата, чтобы исключить возможность повреждений нагревательного мата.



Указание

Без документа, подтверждающего это измерение, гарантия аннулируется.

- ▶ Замерить общее сопротивление и сопротивление изоляции нагревательных матов.
- ▶ Проверить, находятся ли измеренные значения в допустимом диапазоне измерений (см. главу «Технические характеристики / Таблица параметров»).
- ▶ Внести измеренные значения в гарантийную карту.

8.8 Электрическое подключение



ПРЕДУПРЕЖДЕНИЕ поражение электрическим током

Все работы по электрическому подключению и установке необходимо производить в соответствии с инструкцией.

Следует соблюдать предписания местного предприятия энергосбыта.



ПРЕДУПРЕЖДЕНИЕ поражение электрическим током

Подключение к электросети должно быть неразъемным.

- ▶ Отсоединять устройство от сети питания по всем полюсам не менее чем на 3 мм посредством дополнительного устройства с перемычкой. Для этого следует пользоваться автоматическим выключателем, предохранителями или контакторами.

- ▶ Установить устройство защитного отключения с номинальным током утечки ≤ 30 мА.



Материальный ущерб

Запрещается подключать нагревательный кабель к сети питания без устройства отключения.

- ▶ Подсоединять к сети питания только холодный конец кабеля.



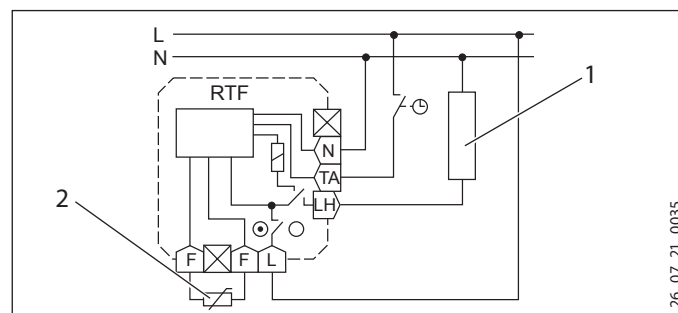
Материальный ущерб

Следует соблюдать данные на заводской табличке. Напряжение сети должно совпадать с указанным на табличке.

Все оборудование должно быть рассчитано на номинальную потребляемую мощность прибора.

Принципиальная электрическая схема (на примере терморегулятора RTF)

Нижеприведенная принципиальная электрическая схема служит для наглядности. Действительной является только электрическая схема терморегулятора (см. Инструкцию по эксплуатации и установке терморегулятора).



- 1 Нагревательный мат
- 2 Датчик температуры

Необходимо соблюдать следующие шаги монтажа в соответствии с Инструкцией по эксплуатации и установке терморегулятора:

Ввод в эксплуатацию

- ▶ Подключить защитный провод к заземляющему контакту (PE).
- ▶ Подключить нагревательные маты к терморегулятору через холодный конец кабеля.
- ▶ Проверить правильность подключения защитного провода.

8.8.1 Подключение нескольких нагревательных матов



Материальный ущерб
Подключать несколько нагревательных матов можно только параллельным соединением.

- ▶ Необходимо убедиться, что полный ток не превышает максимального тока включения и разрывной мощности терморегулятора.
- ▶ Данные для этого приведены в Инструкции по эксплуатации и установке терморегулятора.

9. Ввод в эксплуатацию

9.1 Первый ввод в эксплуатацию

После укладки нагревательного мата и нанесения плиточного клея или выравнивающей массы необходимо подождать не менее 2 дней, прежде чем в первый раз включить нагревательный мат.

- ▶ Включать нагревательный мат по истечении периода первичной сушки следует на короткое время на протяжении нескольких дней. Это гарантирует медленное затвердевание плиточного клея и выравнивающего состава.
- ▶ При укладке пластмассовых антидиффузионных покрытий необходимо прогреть пол в течение прибл. 36 часов. Благодаря этому в материале пола не останется влаги.



Указание
Окончательный ввод в эксплуатацию разрешается производить не ранее чем через 5 дней после укладки пола.

9.2 Протокол ввода в эксплуатацию

- ▶ Следует убедиться в надлежащем заполнении гарантийной карты и схемы укладки. Необходимо соблюдать следующие указания:
 - На схеме укладки должно быть показано точное положение нагревательных матов, холодных концов кабеля и датчика температуры.
 - В гарантийную карту должны быть внесены результаты всех трех контрольных измерений.
- ▶ Необходимо записать измеренное значение общего сопротивления и сопротивления изоляции на обоих наклейках с заводскими табличками.
- ▶ Закрепить наклеиваемую заводскую табличку для гарантийной карты на предусмотренном для этого месте гарантийной карты.

- ▶ Закреплять наклеиваемую заводскую табличку для главной соединительной коробки следует на хорошо видимом месте главной соединительной коробки.

10. Приемка/передача

Объяснить пользователю функции прибора. Особо обратить его внимание на указания по технике безопасности.

Передать пользователю настоящее руководство по эксплуатации и монтажу.

Пользователю следует передать гарантийный талон и план прокладки коммуникаций.

11. Технические характеристики

11.1 Таблица параметров

		FTM 150 В	FTM 225 В	FTM 300 В	FTM 375 В	FTM 450 В
		234548	234549	234550	234551	234552
Электрические параметры						
Присоединяемая мощность	W	135	220	300	380	470
Питание от сети		1-фазн. N/PE пер. ток 230 В	1-фазн. N/PE пер. ток 230 В	1-фазн. N/PE пер. ток 230 В	1-фазн. N/PE пер. ток 230 В	1-фазн. N/PE пер. ток 230 В
Электрическое сопротивление (+10/-5 %)	Ω	351	236	164	147	105
Размеры						
Длина	мм	2000	3000	4000	5000	6000
Ширина	мм	500	500	500	500	500
Площадь	м ²	1	1,5	2	2,5	3
Исполнения						
Степень защиты (IP)		IPX7	IPX7	IPX7	IPX7	IPX7
Значения						
Номинальная предельная температура нагревательного элемента	°C	80	80	80	80	80

		FTM 600 В	FTM 750 В	FTM 900 В	FTM 1050 В
		234553	234554	234555	234556
Электрические параметры					
Присоединяемая мощность	W	650	815	930	1040
Питание от сети		1-фазн. N/PE пер. ток 230 В	1-фазн. N/PE пер. ток 230 В	1-фазн. N/PE пер. ток 230 В	1-фазн. N/PE пер. ток 230 В
Электрическое сопротивление (+10/-5 %)	Ω	87	67	55	48
Размеры					
Длина	мм	8000	10000	12000	14000
Ширина	мм	500	500	500	500
Площадь	м ²	4	5	6	7
Исполнения					
Степень защиты (IP)		IPX7	IPX7	IPX7	IPX7
Значения					
Номинальная предельная температура нагревательного элемента	°C	80	80	80	80

Гарантийная карта

Клиент

Фамилия

Адрес

Индекс, населенный пункт

Телефон

Заказчик

Электромонтажник

Дата прокладки

Дата монтажа

Штамп фирмы

Применение

Цементная стяжка

Деревянный пол



Заводская табличка

Протокол испытаний

Настоящая гарантия действительна только при условии полного заполнения гарантийной карты.

Сопротивление изоляции должно быть > 1 МОм.

Контрольное измерение 1(на момент поставки)

Дата _____ Подпись _____

Перед укладкой нагревательного мата измерены следующие показатели:

Общее сопротивление _____ Ом

Сопротивление изоляции _____ МОм

Контрольное измерение 2(после укладки нагревательного мата)

Дата _____ Подпись _____

После укладки нагревательного мата измерены следующие показатели:

Общее активное сопротивление _____ Ом

Сопротивление изоляции _____ Ом

Контрольное измерение 3(после укладки покрытия пола)

Дата _____ Подпись _____

После укладки покрытия пола измерены следующие показатели:

Общее активное сопротивление _____ Ом

Сопротивление изоляции _____ Ом

Схема укладки

Следует составить точный чертеж помещения, уложенных нагревательных матов и местоположения датчика в полу.

	1	2	3	4	5	6	7	8	9	10	11	12	13	14	15	16	17	18	19	20	21	22	23	24	25	26	27	28	29	30	31	32	33	34	35	36	
1																																					
2																																					
3																																					
4																																					
5																																					
6																																					
7																																					
8																																					
9																																					
10																																					
11																																					
12																																					
13																																					
14																																					
15																																					
16																																					
17																																					
18																																					
19																																					
20																																					
21																																					
22																																					
23																																					
24																																					
25																																					
26																																					
27																																					
28																																					
29																																					
30																																					
31																																					
32																																					
33																																					
34																																					
35																																					
36																																					
37																																					
38																																					
39																																					
40																																					

Дата монтажа:
Модель
Общее активное сопротивление (Ω):
Сопротивление изоляции (МОм):
Предохранитель (А):
Устройство защитного отключения (МА):



Гарантия

Приборы, приобретенные за пределами Германии, не подпадают под условия гарантии немецких компаний. К тому же в странах, где продажу нашей продукции осуществляет одна из наших дочерних компаний, гарантия предоставляется исключительно этой дочерней компанией. Такая гарантия предоставляется только в случае, если дочерней компанией изданы собственные условия гарантии. За пределами этих условий никакая гарантия не предоставляется.

На приборы, приобретенные в странах, где ни одна из наших дочерних компаний не осуществляет продажу нашей продукции, никакие гарантии не распространяются. Это не затрагивает гарантий, которые могут предоставляться импортером.

Защита окружающей среды и утилизация

Внесите свой вклад в охрану окружающей среды. Утилизацию использованных материалов следует производить в соответствии с национальными нормами.

ДЛЯ ЗАМЕТОК

WSKAZÓWKI SPECJALNE

OBSŁUGA

1. Wskazówki ogólne	39
1.1 Wskazówki dotyczące bezpieczeństwa	40
1.2 Inne oznaczenia stosowane w niniejszej dokumentacji	40
1.3 Wskazówki na urządzeniu	40
1.4 Jednostki miar	40
2. Bezpieczeństwo	40
2.1 Użytkowanie zgodne z przeznaczeniem	40
2.2 Ogólne wskazówki dotyczące bezpieczeństwa	40
2.3 Znak kontroli	40
3. Nastawy	40
4. Czyszczenie, pielęgnacja i konserwacja	41
5. Usuwanie problemów	41

INSTALACJA

6. Bezpieczeństwo	41
6.1 Ogólne wskazówki dotyczące bezpieczeństwa	41
6.2 Przepisy, normy i wymogi	41
7. Opis urządzenia	41
7.1 Zakres dostawy	41
7.2 Karta gwarancyjna / plan ułożenia	42
8. Przygotowanie	42
8.1 Miejsce montażu / warunki montażu	42
8.2 Bezpieczne odległości	42
8.3 Plan ułożenia	42
8.4 Pomiar kontrolny 1	43
8.5 Przygotowanie podłoża	43
9. Montaż	43
9.1 Montaż puszki podtynkowej	43
9.2 Układanie czujnika temperatury	44
9.3 Układanie przewodu zimnego	44
9.4 Ułożenie maty grzewczej	44
9.5 Pomiar kontrolny 2	45
9.6 Układanie warstwy podłogowej	45
9.7 Pomiar kontrolny 3	46
9.8 Podłączenie elektryczne	46
10. Uruchomienie	46
10.1 Pierwsze uruchomienie	46
10.2 Protokół uruchomienia	47
11. Przekazanie	47
12. Dane techniczne	47
12.1 Tabela danych	47

GWARANCJA

OCHRONA ŚRODOWISKA I RECYCLING

WSKAZÓWKI SPECJALNE

- Urządzenie może być obsługiwane przez dzieci w wieku od 8 lat, a także osoby z ograniczonymi zdolnościami ruchowymi, sensorycznymi lub z ograniczoną poczytalnością, lub też przez osoby bez doświadczenia i wiedzy, jeśli obsługa odbywać się będzie pod nadzorem lub jeśli użytkownicy zostali pouczeni odnośnie bezpiecznego korzystania z urządzenia i zapoznani się z ewentualnymi groźącymi niebezpieczeństwami. Dzieciom nie wolno bawić się urządzeniem. Czyszczenie oraz konserwacja wykonywana przez użytkowników są czynnościami, których dzieciom nie wolno wykonywać bez nadzoru.
- Podłączenie do sieci dopuszczalne jest wyłącznie w formie przyłącza stałego. Urządzenie musi być oddzielone od sieci elektrycznej za pomocą wielobiegunowego wyłącznika z rozwarciem styków wynoszącym min. 3 mm.
- Czynności związane z wymianą sieciowego przewodu przyłączeniowego, np. w razie uszkodzenia, mogą być wykonywane wyłącznie przez specjalistę posiadającego uprawnienia wydane przez producenta, przy użyciu oryginalnej części zamiennej.
- Zamocować urządzenie w sposób opisany w rozdziale „Instalacja / Przygotowania”.

OBSŁUGA

1. Wskazówki ogólne

Rozdziały „Wskazówki specjalne” i „Obsługa” są przeznaczone dla użytkowników urządzenia i specjalistów.

Rozdział „Instalacja” przeznaczony jest dla specjalisty.

**Wskazówka**

Przed przystąpieniem do obsługi urządzenia należy dokładnie zapoznać się z niniejszą instrukcją i zachować ją do późniejszego wykorzystania.

W przypadku przekazania produktu osobom trzecim niniejszą instrukcję należy również dołączyć.

1.1 Wskazówki dotyczące bezpieczeństwa

1.1.1 Struktura wskazówek dotyczących bezpieczeństwa



HASŁO OSTRZEGAWCZE – rodzaj zagrożenia
W tym miejscu są określone potencjalne skutki nieprze-
strzegania wskazówki dotyczącej bezpieczeństwa.

► W tym miejscu są określone środki zapobiegające
zagrożeniu.

1.1.2 Symbole i rodzaje zagrożenia

Symbol	Rodzaj zagrożenia
	Obrażenia ciała
	Porażenie prądem elektrycznym

1.1.3 Hasła ostrzegawcze

HASŁO OSTRZE- GAWCZE	Znaczenie
ZAGROŻENIE	Wskazówki, których nieprze- strzeżenie prowadzi do cięż- kich obrażeń ciała lub śmierci.
OSTRZEŻENIE	Wskazówki, których nieprze- strzeżenie może prowadzić do ciężkich obrażeń ciała lub śmierci.
OSTROŻNIE	Wskazówki, których nieprze- strzeżenie może prowadzić do średnich lub lekkich obrażeń ciała.

1.2 Inne oznaczenia stosowane w niniejszej dokumentacji



Wskazówka

Ogólne wskazówki są oznaczone symbolem umieszczo-
nym obok.

► Należy dokładnie zapoznać się z treścią wskazówek.

Symbol	Znaczenie
	Szkody materialne (uszkodzenie urządzenia, szkody następ- cze, szkody środowiskowe)
	Utylizacja urządzenia

► Ten symbol informuje o konieczności wykonania jakiejś czyn-
ności. Wymagane czynności opisane są krok po kroku.

1.3 Wskazówki na urządzeniu

Symbol	Znaczenie
	Ogrzewanie podłogowe (oddziałujące bezpośrednio)

1.4 Jednostki miar



Wskazówka

Jeśli nie określono innych jednostek, wszystkie wymiary
podane są w milimetrach.

2. Bezpieczeństwo

2.1 Użytkowanie zgodne z przeznaczeniem

Mata grzewcza stanowi bezpośrednie ogrzewanie podłogowe
i służy do wyrównywania temperatury podłogi pojedynczych stref,
np. w łazienkach, kuchniach, przedśionkach saun, na korytarzach
lub w innych obszarach mieszkań, jak również na zadaszonych
pływalniach i w innych pomieszczeniach wilgotnych.

Urządzenie przeznaczone jest do użytku domowego. Nieprzesko-
lone osoby mogą bezpiecznie z niego korzystać. Urządzenie może
być użytkowane również poza domem, np. w małych przedsiębior-
stwach, pod warunkiem użytkowania zgodnego z przeznaczeniem.

Inne lub wykraczające poza obowiązujące ustalenia zastosowanie
traktowane jest jako niezgodne z przeznaczeniem. Do użytkowania
zgodnego z przeznaczeniem należy również przestrzeganie niniej-
szej instrukcji obsługi oraz instrukcji obsługi użytego wyposażenia
dodatkowego.

2.2 Ogólne wskazówki dotyczące bezpieczeństwa



OSTRZEŻENIE obrażenia ciała

Urządzenie może być obsługiwane przez dzieci w wieku
od 8 lat, a także osoby z ograniczonymi zdolnościami
ruchowymi, sensorycznymi lub z ograniczoną poczytal-
nością, lub też przez osoby bez doświadczenia i wiedzy,
jeśli obsługa odbywać się będzie pod nadzorem lub jeśli
użytkownicy zostali pouczeni odnośnie bezpiecznego ko-
rzystania z urządzenia i zapoznani się z ewentualnymi
groźącymi niebezpieczeństwami. Dzieciom nie wolno
bawić się urządzeniem. Czyszczenie oraz konserwacja
wykonywana przez użytkownika są czynnościami, któ-
rych dzieciom nie wolno wykonywać bez nadzoru.



Szkody materialne

Matę grzewczą użytkować wyłącznie w stanie całkowicie
zmontowanym i z wszystkimi urządzeniami zabezpiecza-
jącymi.

2.3 Znak kontroli

Patrz naklejka z tabliczką znamionową, naklejka w karcie gwa-
rancyjnej lub w głównej skrzynce przyłączeniowej.

3. Nastawy

Żądaną temperaturę podłogi można nastawiać za pomocą ze-
wnętrznego regulatora temperatury.

Uzyskiwana temperatura podłogi zależy od struktury podłogi oraz
warstwy podłogowej. Zapoznać się z informacjami podanymi
w instrukcji obsługi i instalacji regulatora temperatury.

3.3.1 Regulator temperatury z programatorem czasowym

Instalacja regulatora temperatury z programatorem czasowym pozwala oszczędzać energię elektryczną.

Dzięki regulacji temperatury przy pomocy programatora czasowego ogrzewanie można dostosować do własnych przyzwyczajeń, ustawiając czas włączenia i wyłączenia maty grzewczej.

- ▶ Czas pracy należy ustawić w taki sposób, aby włączenie następowało nieco wcześniej – przed korzystaniem ze strefy. Długość tego czasu zależy od struktury podłogi i okładziny podłogowej.
- ▶ Czas wyłączenia należy dobrać w taki sposób, aby urządzenie wyłączało się mniej więcej pół godziny przed końcem korzystania ze strefy.

Bliższe informacje podane są w instrukcji obsługi i instalacji regulatora temperatury.

4. Czyszczenie, pielęgnacja i konserwacja

Mata grzewcza nie wymaga szczególnej konserwacji.

5. Usuwanie problemów

Problem	Przyczyna	Rozwiązanie
Mata nie wytwarza żądanej mocy grzewczej.	Regulator temperatury nie jest prawidłowo nastawiony.	Nastawić regulator temperatury na najwyższy stopień grzewczy. Po pewnym czasie sprawdzić, czy podłoga się nagrzewa.
	Przy regulatorach temperatury z zegarem sterującym: Czasy pracy nie są właściwie ustawione.	Sprawdzić czasy pracy zegara sterującego i w razie potrzeby dopasować je.
	Brak napięcia.	Sprawdzić, czy zadziałały bezpieczniki w instalacji domowej.

Jeśli nie można usunąć przyczyny usterki, należy wezwać serwis. W celu usprawnienia i przyspieszenia pomocy należy podać numer urządzenia z tabliczki znamionowej (000000-0000-000000).

Tabliczkę znamionową nakleić w karcie gwarancyjnej w niniejszej instrukcji oraz w głównej skrzynce przyłączeniowej.

INSTALACJA

6. Bezpieczeństwo

Instalacja, uruchomienie, jak również konserwacja i naprawa urządzenia mogą być wykonane wyłącznie przez specjalistę.

6.1 Ogólne wskazówki dotyczące bezpieczeństwa

Producent zapewnia prawidłowe działanie i bezpieczeństwo eksploatacji tylko w przypadku stosowania oryginalnego wyposażenia dodatkowego przeznaczonego do tego urządzenia oraz oryginalnych części zamiennych.

6.2 Przepisy, normy i wymagania



Szkody materialne

Maty grzewczej nie wolno układać na łatwopalnych lub normalnie palnych materiałach budowlanych.



Szkody materialne

Maty nie wolno uruchamiać przed rozwinięciem.



Wskazówka

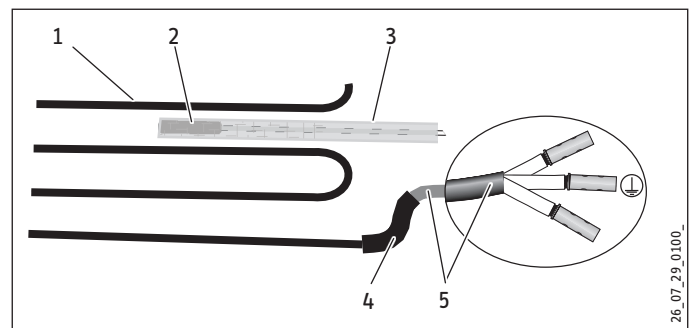
Należy przestrzegać wszystkich krajowych i miejscowych przepisów oraz wymogów.

7. Opis urządzenia

Mata grzewcza jest powierzchniowym elementem grzeijnym. Mata grzewcza składa się z przewodu grzeijnego poprowadzonego w łukach na tkaninie samoprzylepnej.

Matę grzewczą przykleja się bezpośrednio na jastrych lub masę samopoziomującą (np. jastrych płynny). Ciepło wytwarzane przez matę grzewczą jest przenoszone w ten sposób bezpośrednio na podłogę.

Żądaną temperaturę podłogi nastawia się za pomocą zewnętrznego regulatora temperatury. Regulator temperatury jest wyposażony w czujnik temperatury. Czujnik temperatury musi zostać zainstalowany na poziomie grzewczym.



- 1 Przewód grzeiny
- 2 Czujnik temperatury
- 3 Rura instalacyjna (do czujnika temperatury)
- 4 Mufa łącząca przewód grzeiny/zimny
- 5 Przewód zimny (elektryczny przewód przyłączeniowy)

Mata grzewcza jest włączana lub wyłączana w zależności od temperatury podłogi ustawionej na regulatorze temperatury.

Regulator temperatury uwzględnia uzysk ciepła, np. z promieniowania słonecznego lub oświetlenia i zapewnia kontrolę temperatur ujemnych.

Regulator temperatury posiada układ kontroli własnej. W razie awarii zasilania, przerwy w czujniku lub zwarcia w czujniku ogrzewanie automatycznie się wyłącza.

7.1 Zakres dostawy

- Mata grzewcza
- Dwie naklejki z tabliczką znamionową (karta gwarancyjna / główna skrzynka przyłączeniowa)

INSTALACJA

Przygotowanie

7.2 Karta gwarancyjna / plan ułożenia

Kartę gwarancyjną i plan ułożenia należy wypełnić w całości. Bez tego poświadczenia gwarancja nie będzie obowiązywać.

Informacje na temat wypełnienia planu ułożenia podane są w rozdziale „Przygotowania”.

8. Przygotowanie

8.1 Miejsce montażu / warunki montażu



Szkody materialne

Matę grzewczą nie wolno montować w temperaturze poniżej 5°C.



Wskazówka

W nowych budynkach należy uwzględnić czas schnięcia jastrychu wynoszący 4-6 tygodni.

Matę grzewczą należy zainstalować dopiero po upływie tego okresu.

8.1.1 Podłoże



Szkody materialne

Matę grzewczą wolno układać wyłącznie na podłogach. Ściany i sufity nie mogą być wykorzystywane jako powierzchnia montażowa.

Matę grzewczą można układać na różnych podłożach, np. jastrych, gorący asfalt lub płyty wiórowe odporne na wilgoć. Należy przestrzegać następujących zasad:

- Układanie na gorącym asfalcie: Podłoże musi być odporne na temperaturę do ok. 80°C.
- Układanie na płytach wiórowych: W celu uzyskania lepszego tłumienia odgłosu kroków można dodatkowo ułożyć odpowiednie płyty izolacyjne.
- Powierzchnie jastrychu pozostawiające w znacznym stopniu piasek należy pokryć emulsją gruntującą.

Izolacja cieplna

Między surową podłogą a matą grzewczą musi znajdować się izolacja cieplna.

- ▶ Upewnić się, czy izolacja cieplna odpowiada aktualnemu poziomowi wiedzy technicznej.

8.1.2 Pomieszczenia łazienkowe i prysznicowe

Maty grzewczej nie wolno układać na powierzchniach, na których zamontowane będą urządzenia sanitarne, np. wanna kąpielowa, prysznic, muszla stojąca itd.

8.1.3 Pokrycia podłogi

Matą grzewczą przeznaczoną jest do różnych pokryć podłogi, np. płytek, wykładziny podłogowej, PCW lub parkietu.



Szkody materialne

Stosować pokrycia podłogi przeznaczone do ogrzewania podłogowego.

Pamiętać, że poszczególne pokrycia podłogi w zależności od typu i grubości materiału charakteryzują się różną przewodnością cieplną:

Pokrycie podłogi	Maks. grubość	Przewodność cieplna
Płytki ceramiczne	30 mm	$\lambda = 1,00 \text{ W/(m} \cdot \text{K)}$
Wykładzina podłogowa	20 mm	$\lambda = 0,09 \text{ W/(m} \cdot \text{K)}$
Parkiet	16 mm	$\lambda = 0,14 \text{ W/(m} \cdot \text{K)}$
PCW	10 mm	$\lambda = 0,23 \text{ W/(m} \cdot \text{K)}$
Korek	10 mm	$\lambda = 0,08 \text{ W/(m} \cdot \text{K)}$

8.1.4 Przykrywanie podłogi

Dodatkowe przykrywanie podłogi, np. dywany, mogą powodować podwyższenie temperatury w podłodze.

- ▶ Nie stosować przykryć, których grubość przekracza 10 mm.

8.2 Bezpieczne odległości



Szkody materialne

Szaf z pełnopłaszczynową podstawą nie wolno ustawiać na ogrzewanych powierzchniach.

- ▶ Upewnić się, że wzdłuż ścian zachowana została nieogrzewana strefa brzegowa o szerokości 60 cm.
- ▶ Upewnić się, że zachowany jest, wynoszący 30 mm, minimalny odstęp od wszelkich przewodzących materiałów.



Szkody materialne

Przewody grzejne równolegle ułożonych mat grzewczych nie mogą się ze sobą stykać.

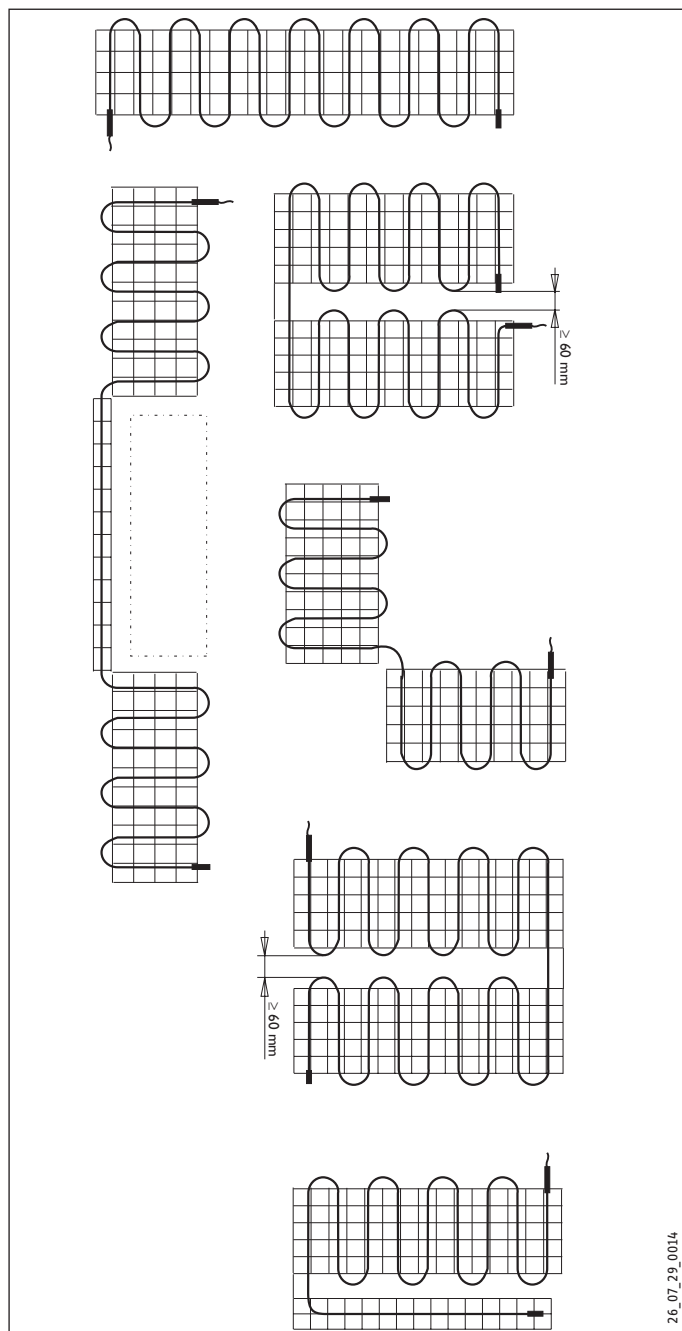
- ▶ Upewnić się, że przy równolegle ułożonych matach grzewczych zachowana jest minimalna odległość wynosząca 50 mm.

8.3 Plan ułożenia

Przed montażem maty grzewczej należy sporządzić plan ułożenia. Zapoznać się z rozdziałem „Przykłady ułożenia” i „Bezpieczne odległości”.

- ▶ Zaznaczyć na planie ułożenia położenie mat grzewczych, nieogrzewanych stref brzegowych, czujnika temperatury oraz termistora PTC.

8.3.1 Przykłady ułożenia



8.3.2 Położenie czujnika temperatury

- Czujnik temperatury musi zostać umieszczony bezpośrednio pod matą grzewczą i w odległości ok. 100 mm od brzegu maty grzewczej.
- Czujnik temperatury musi znajdować się między dwoma pętłami przewodu grzejnego.
- Przewód czujnika temperatury nie może krzyżować się ani stykać z przewodem grzejnym.

8.4 Pomiar kontrolny 1

Przed montażem należy skontrolować opór całkowity oraz rezystancję izolacji mat grzewczych w stanie dostawy.



Wskazówka

Bez poświadczenia tego pomiaru gwarancja nie będzie obowiązywać.

- ▶ Zmierzyć opór całkowity oraz rezystancję izolacji maty grzewczej.
- ▶ Sprawdzić, czy wartości zmierzone zawierają się w dopuszczalnym zakresie pomiaru (patrz rozdział „Dane techniczne / Tabela danych”).
- ▶ Wartości zmierzone wpisać do karty gwarancyjnej.

8.5 Przygotowanie podłoża

- ▶ Upewnić się, że podłoże jest czyste, suche, twarde, oczyszczone i odłuszczone.
- ▶ Upewnić się, że z podłogi nie wystają żadne ostre krawędzie lub ostre przedmioty. Mogłyby one uszkodzić przewód grzejny.
- ▶ W razie nierówności wykonać poziomowanie, aby uniknąć pustych przestrzeni pod przewodem grzejnym. Szczeliny dylatacyjnych w podłożu nie wolno zakrywać matą grzewczą.

9. Montaż

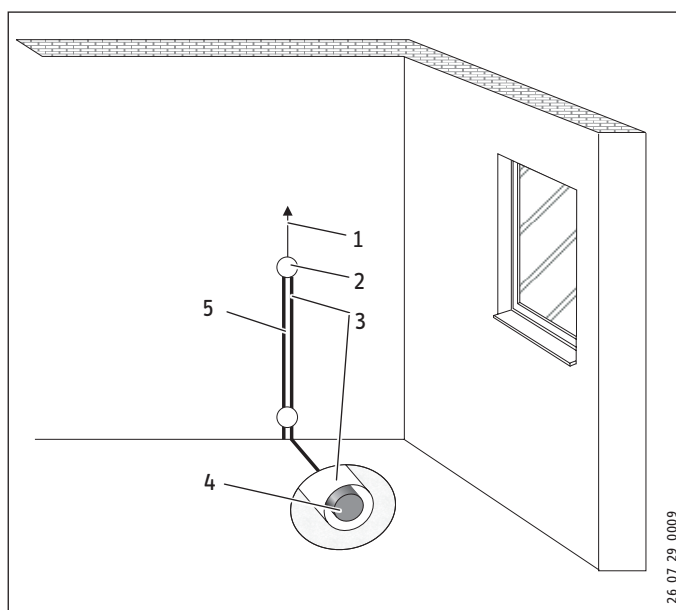
9.1 Montaż puszeki podtynkowej

Wszystkie przewody przyłączeniowe muszą być poprowadzone do puszeki podtynkowej w celu podłączenia w tym miejscu do regulatora temperatury.



Szkody materialne

W łazienkach i pomieszczeniach wilgotnych puszkę podtynkową można instalować wyłącznie poza strefą ochrony 2.



- 1 Przewód przyłączeniowy do rozdzielania (NYM 3x1,5 mm²)
- 2 Puszka podtynkowa
- 3 Rura instalacyjna do czujnika temperatury
- 4 Czujnik temperatury
- 5 Przewód zimny / rura instalacyjna do przewodu zimnego

- ▶ Wybrać odpowiednie miejsce do zainstalowania puszkii podtynkowej.
- ▶ Jeśli podłączanych będzie kilka mat grzewczych, zamontować dodatkową puszkę podtynkową.
- ▶ Dodatkową puszkę należy zainstalować również wtedy, gdy przewód zimny lub przewód czujnika temperatury są za krótkie.

9.2 Układanie czujnika temperatury

Czujnik temperatury musi zostać ułożony w rurze instalacyjnej. W przypadku wersji w zestawie rura instalacyjna jest dołączona do kompletu.

- ▶ Wybrać odpowiednie miejsce do ułożenia rury instalacyjnej. Przestrzegać informacji podanych w rozdziale „Plan ułożenia / Położenie czujnika temperatury”.
- ▶ Ułożyć rurę instalacyjną i wsunąć w nią czujnik temperatury.

9.3 Układanie przewodu zimnego

Przewód zimny można poprowadzić w rurze instalacyjnej lub równo w posadzce – w bruździe w jastrychu.

9.3.1 Układanie w rurze instalacyjnej



Szkody materialne

Przewód zimny musi być poprowadzony w osobnej rurze instalacyjnej. Przewód zimny i przewód czujnika temperatury nie mogą przebiegać we wspólnej rurze instalacyjnej.

- ▶ Ułożyć dodatkową rurę instalacyjną i wsunąć w nią przewód zimny.
- ▶ Upewnić się, że mufa łącząca przewód grzejny/zimny nie jest obciążona obciążeniem rozciągającym przekraczającym 120 N.

9.3.2 Układanie w podłodze



Szkody materialne

W przypadku układania w podłodze przewód zimny musi być doprowadzony do gniazda podtynkowego bez przedłużeń. Przewód zimny nie może krzyżować ani stykać się z przewodem grzejnym.

- ▶ Wykonać bruźdę w jastrychu za pomocą odpowiednich narzędzi i poprowadzić w niej przewód zimny.
- ▶ Upewnić się, że mufa łącząca przewód grzejny/zimny nie jest obciążona obciążeniem rozciągającym przekraczającym 120 N.

9.4 Ułożenie maty grzewczej



Szkody materialne

Przewodu grzejnego maty grzewczej nie wolno skracać, zginać lub załamywać. Przewód zimny można skrócić i przedłużyć, jeśli jego przekrój nie zmieni się.



Szkody materialne

- ▶ Do zamocowania maty grzewczej na podłodze nie wykorzystywać gwoździ lub innych przedmiotów metalowych.
- ▶ Na matę grzewczą wchodzić wyłącznie, jeśli jest to bezwzględnie konieczne. W razie potrzeby użyć środków ochrony zabezpieczających przed uszkodzeniem mechanicznym (np. obuwie z gumowymi podeszwami).

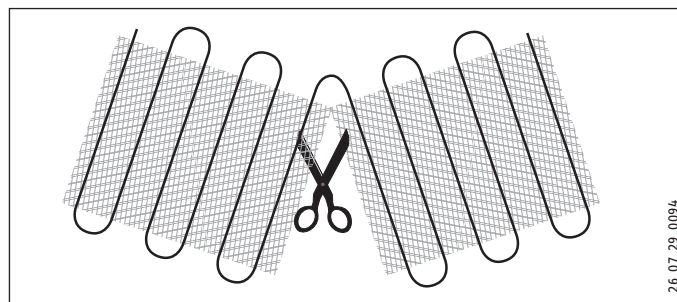


Szkody materialne

- ▶ Nie układać maty przez materiał izolacyjny lub pod nim.
- ▶ Ułożona mata grzewcza nie może krzyżować się ze szczelinami dylatacyjnymi w podłodze.
- ▶ W okolicy maty grzewczej nie stosować żadnych materiałów montażowych, np. kołki z wkrętami do odbojników drzwiowych, mocowania sedesu.

Przy kolejnych czynnościach przestrzegać położenia maty grzewczej określonego w planie ułożenia.

- ▶ Rozłożyć matę grzewczą zgodnie z planem ułożenia. Strona samoprzylepna musi znajdować się na wierzchu.



- ▶ Naciąć tkaninę nośną maty grzewczej nożyczkami w miejscu zmiany kierunku. Uważać, aby przez przypadek nie uszkodzić przewodu grzejnego nożyczkami.



Szkody materialne

Promień zgięcia przewodu grzejnego musi wynosić co najmniej 18 mm. Najmniejszy dopuszczalny promień zgięcia stanowi 6-krotność średnicy przewodu grzejnego.

Ostrożnie rozgiąć przewód grzejny w miejscu cięcia.

- ▶ Przestrzegać minimalnych odległości (patrz rozdział „Przygotowania / Bezpieczne odległości”).
- ▶ Upewnić się, że przewód czujnika temperatury nie krzyżuje ani nie styka się z przewodem grzejnym a czujnik temperatury jest rozmieszczony pośrodku między dwoma pętlami przewodu grzejnego.
- ▶ Upewnić się, że maty grzewcze nie są nałożone jedna na drugą. Maty nałożone na siebie mogą powodować zakłócenia w działaniu.
- ▶ Upewnić się, że tkanina rozłożona jest bez pofałdowań.
- ▶ Docisnąć matę grzewczą mocno do podłogi.

9.5 Pomiar kontrolny 2

Po rozłożeniu maty grzewczej należy sprawdzić opór całkowity oraz rezystancję izolacji maty grzewczej, aby wykluczyć ryzyko uszkodzenia maty.



Wskazówka

Bez poświadczenia tego pomiaru gwarancja nie będzie obowiązywać.

- ▶ Zmierzyć opór całkowity oraz rezystancję izolacji mat grzewczych.
- ▶ Sprawdzić, czy wartości zmierzone zawierają się w dopuszczalnym zakresie pomiaru (patrz rozdział „Dane techniczne / Tabela danych”).
- ▶ Wartości zmierzone wpisać do karty gwarancyjnej.
- ▶ Przy odbiegających wartościach zmierzonych wymienić uszkodzoną matę grzewczą.

9.6 Układanie warstwy podłogowej



Szkody materialne

Stosować wyłącznie klej do płytek i masę samopoziomującą, które są przystosowane do ogrzewania podłogowego i charakteryzują się stałą odpornością na temperaturę co najmniej 80°C.



Szkody materialne

Przy nakładaniu kleju do płytek i masy samopoziomującej przestrzegać informacji na temat czasu wysychania oraz pozostałych danych podanych przez producenta.

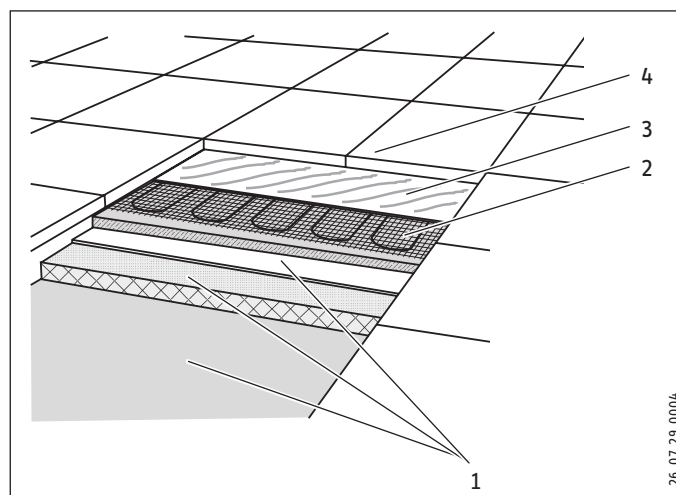


Wskazówka

W zależności od wilgoci w obiekcie należy odczekać co najmniej 3 dni przed przystąpieniem do układania pokrycia podłogi.

9.6.1 Płytki ceramiczne

- ▶ Wybrać odpowiedni klej do płytek lub ew. właściwą masę samopoziomującą. Należy pamiętać, że muszą one charakteryzować się stałą odpornością na temperaturę wynoszącą co najmniej 80°C.
- ▶ Zamknąć rury instalacyjne, aby przy układaniu mat grzewczych nie wniknęły do nich klej do płytek.



- 1 Podłoże z izolacją cieplną
- 2 Mata grzewcza z przewodem grzejnym
- 3 Klej do płytek
- 4 Pokrycie podłogi

- ▶ Nanieść klej do płytek i ew. masę samopoziomującą. Uważać, aby nie uszkodzić przewodu grzejnego.
- ▶ Upewnić się, że przewód grzejny jest otoczony na całym obwodzie i na całej długości klejem do płytek.
- ▶ W razie potrzeby unieść nieco matę grzewczą po naniesieniu kleju do płytek, aby upewnić się, że pod matą nie tworzą się pęcherzyki powietrza. Mogą one powodować wzrost temperatury.
- ▶ Wcisnąć matę grzewczą z powrotem w klej.
- ▶ Położyć płytki zgodnie z danymi producenta.

9.6.2 Wykładzina podłogowa, PCW, parkiet lub korek

Przed położeniem pokryć podłogowych, takich jak wykładziny podłogowe, PCW lub korek należy przykryć matę grzewczą na dużej powierzchni masą samopoziomującą.

Masa samopoziomująca zabezpiecza maty grzewcze przed wpływem czynników mechanicznych. Odpowiednie materiały to np. łatwo rozprzeczalna zaprawa cementowa.

- ▶ Dobrać odpowiednią masę samopoziomującą. Należy pamiętać, że musi ona charakteryzować się stałą odpornością na temperaturę wynoszącą co najmniej 80°C.
- ▶ Zamknąć rury instalacyjne, aby przy układaniu mat grzewczych nie wniknęła w nie masa samopoziomująca.
- ▶ Nanieść masę samopoziomującą o grubości 5-10 mm. Uważać, aby nie uszkodzić przewodu grzejnego.
- ▶ Upewnić się, że przewód grzejny jest otoczony na całym obwodzie i na całej długości masą samopoziomującą.
- ▶ W razie potrzeby unieść nieco matę grzewczą po naniesieniu masy samopoziomującej, aby upewnić się, że pod matą nie tworzą się pęcherzyki powietrza. Mogą one powodować wzrost temperatury.
- ▶ Wcisnąć matę grzewczą z powrotem w masę samopoziomującą.
- ▶ Odczekać, aż masa stwardnieje, przez czas podany przez producenta.
- ▶ Wypełnić szczeliny dylatacyjne odpowiednimi materiałami, np. silikonem.
- ▶ Położyć okładzinę podłogową zgodnie z danymi producenta.

9.7 Pomiar kontrolny 3

Po położeniu pokrycie podłogi należy sprawdzić opór całkowity oraz rezystancję izolacji maty grzewczej, aby wykluczyć ryzyko uszkodzenia mat.



Wskazówka

Bez poświadczenia tego pomiaru gwarancja nie będzie obowiązywać.

- ▶ Zmierzyć opór całkowity oraz rezystancję izolacji mat grzewczych.
- ▶ Sprawdzić, czy wartości zmierzone zawierają się w dopuszczalnym zakresie pomiaru (patrz rozdział „Dane techniczne / Tabela danych”).
- ▶ Wartości zmierzone wpisać do karty gwarancyjnej.

9.8 Podłączenie elektryczne



OSTRZEŻENIE porażenie prądem elektrycznym
Wszystkie elektryczne prace przyłączeniowe i instalacyjne należy wykonywać zgodnie z przepisami. Przestrzegać lokalnych przepisów właściwego zakładu energetycznego.



OSTRZEŻENIE porażenie prądem elektrycznym
Podłączenie do sieci dopuszczalne jest wyłącznie w formie przyłącza stałego.

- ▶ Oddzielić urządzenie od przyłącza sieciowego za pośrednictwem dodatkowego urządzenia z wielobiegunowym odcinkiem rozdzielającym o długości co najmniej 3 mm. Użyć do tego np. wyłącznika nadmiarowo-prądowego, bezpieczników lub stycznika.
- ▶ Zainstalować wyłącznik ochronny różnicowo-prądowy o znamionowym prądzie uszkodzeniowym ≤ 30 mA.



Szkody materialne

Przewód grzejny nie może być połączony z przyłączem sieciowym.

- ▶ Do przyłącza sieciowego podłączyć tylko przewód zimny.

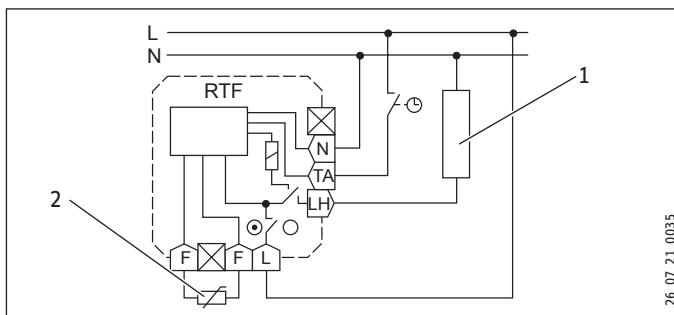


Szkody materialne

Zwrócić uwagę na treść tabliczki znamionowej. Podane napięcie musi być zgodne z napięciem sieciowym. Całe wyposażenie należy dostosować do poboru znamionowego urządzenia.

Poglądowy schemat połączeń (na przykładzie regulatora temperatury RTF)

Poniższy poglądowy schemat połączeń przedstawia ogólną koncepcję. Obowiązuje wyłącznie schemat połączeń regulatora temperatury (patrz instrukcja obsługi i instalacji regulatora temperatury).



- 1 Mata grzewcza
- 2 Czujnik temperatury

Przy kolejnych etapach montażu przestrzegać instrukcji obsługi i instalacji regulatora temperatury:

- ▶ Podłączyć przyłącze przewodu ochronnego do przyłącza uziemiającego (PE).
- ▶ Podłączyć maty grzewcze za pośrednictwem przewodu zimnego do regulatora temperatury.
- ▶ Sprawdzić, czy przewód ochronny jest prawidłowo podłączony.

9.8.1 Podłączanie kilku mat grzewczych



Szkody materialne

Kilka mat grzewczych podłączać tylko w połączeniu równoległym.

- ▶ Upewnić się, czy prąd całkowity nie przekracza maks. prądu przełączania i mocy przełączania regulatora temperatury.
- ▶ Informacje na ten temat podane są w instrukcji obsługi i instalacji regulatora temperatury.

10. Uruchomienie

10.1 Pierwsze uruchomienie

Po ułożeniu maty grzewczej i położeniu kleju do płytek lub masy samopoziomującej przed włączeniem maty grzewczej po raz pierwszy należy odczekać przynajmniej 2 dni.

- ▶ Po zakończeniu tej pierwszej fazy suszenia włączyć matę grzewczą przez kilka dni na krótki czas. Zagwarantuje to powolne schnięcie kleju do płytek oraz masy samopoziomującej.
- ▶ Jeśli ułożone zostało pokrycie z tworzywa sztucznego odporne na dyfuzję, podłogę należy ogrzewać przez czas ok. 36 godzin. Dzięki temu możliwe będzie usunięcie z podłogi wilgoci resztkowej.



Wskazówka

Ostateczne uruchomienie może nastąpić dopiero po upływie 5 dni od wykonania podłogi.

10.2 Protokół uruchomienia

- ▶ Upewnić się, że karta gwarancyjna i plan ułożenia zostały prawidłowo wypełnione. Należy przestrzegać następujących zasad:
 - Plan ułożenia musi określać dokładne położenie mat grzewczych, przewodów zimnych oraz czujnika temperatury.
 - Na karcie gwarancyjnej muszą być zapisane wartości z wszystkich trzech pomiarów kontrolnych.
- ▶ Zapisać zmierzony opór całkowity oraz opór izolacji na obu naklejkach z tabliczką znamionową.
- ▶ Przykleić naklejkę z tabliczką znamionową do karty gwarancyjnej w przewidzianym do tego celu miejscu na karcie gwarancyjnej.
- ▶ Przykleić naklejkę z tabliczką znamionową do głównej skrzynki przyłączeniowej w dobrze widocznym miejscu w głównej skrzynce połączeniowej.

11. Przekazanie

Objasnić użytkownikowi sposób działania urządzenia. Zwrócić jego uwagę szczególnie na wskazówki dotyczące bezpieczeństwa.

Przekazać niniejszą instrukcję obsługi i instalacji użytkownikowi urządzenia.

Przekazać użytkownikowi kartę gwarancyjną i plan ułożenia.

12. Dane techniczne

12.1 Tabela danych

		FTM 150 B	FTM 225 B	FTM 300 B	FTM 375 B	FTM 450 B	FTM 600 B	FTM 750 B	FTM 900 B	FTM 1050 B
		234548	234549	234550	234551	234552	234553	234554	234555	234556
Dane elektryczne										
moc przyłączeniowa	W	135	220	300	380	470	650	815	930	1040
Przyłącze sieciowe		1/N/PE ~ 230 V	1/N/PE ~ 230 V	1/N/PE ~ 230 V	1/N/PE ~ 230 V	1/N/PE ~ 230 V	1/N/PE ~ 230 V	1/N/PE ~ 230 V	1/N/PE ~ 230 V	1/N/PE ~ 230 V
Elektryczna oporność (+10/-5 %)	Ω	351	236	164	147	105	87	67	55	48
Wymiary										
długość	mm	2000	3000	4000	5000	6000	8000	10000	12000	14000
Szerokość	mm	500	500	500	500	500	500	500	500	500
powierzchnia	m ²	1	1,5	2	2,5	3	4	5	6	7
Wykonanie										
Rodzaj ochrony (IP)		IPX7	IPX7	IPX7	IPX7	IPX7	IPX7	IPX7	IPX7	IPX7
Wartości										
Nominalna temperatura graniczna elementu grzewczego	°C	80	80	80	80	80	80	80	80	80

Gwarancja

Urządzeń zakupionych poza granicami Niemiec nie obejmują warunki gwarancji naszych niemieckich spółek. Ponadto w krajach, w których jedna z naszych spółek córek jest dystrybutorem naszych produktów, gwarancji może udzielić wyłącznie ta spółka. Taka gwarancja obowiązuje tylko wówczas, gdy spółka-córka sformułowała własne warunki gwarancji. W innych przypadkach gwarancja nie jest udzielana.

Nie udzielamy gwarancji na urządzenia zakupione w krajach, w których żadna z naszych spółek córek nie jest dystrybutorem naszych produktów. Ewentualne gwarancje udzielone przez importera zachowują ważność.

Ochrona środowiska i recycling

Pomóż chronić środowisko naturalne. Materiały po wykorzystaniu należy utylizować zgodnie z krajowymi przepisami.

Karta gwarancyjna

Klient

Nazwisko

Ulica

Kod pocztowy/miejscowość

Tel.

Zleceniodawca

Elektroinstalator

Data ułożenia

Data instalacji

Pieczętka firmowa

Tabliczka znamionowa

Protokół kontroli

Gwarancja obowiązuje wyłącznie po kompletnym wypełnieniu karty gwarancyjnej.

Rezystancja izolacji musi być > od 1 [MΩ].

Pomiar kontrolny 1 (w stanie fabrycznym)

Data _____ Podpis _____

Przed instalacją maty grzewczej zmierzono następujące wartości:

Oporność całkowita _____ [Ω]

Opór izolacji _____ [MΩ]

Pomiar kontrolny 2 (po ułożeniu maty grzewczej)

Data _____ Podpis _____

Po ułożeniu maty grzewczej zmierzono następujące wartości:

Opór całkowity _____ [Ω]

Rezystancja izolacji _____ [MΩ]

Pomiar kontrolny 3 (po położeniu okładziny podłogowej)

Data _____ Podpis _____

Po położeniu pokrycia podłogi zmierzono następujące wartości:

Opór całkowity _____ [Ω]

Rezystancja izolacji _____ [MΩ]

Zastosowanie

Jastyrych cementowy

Podłoga drewniana



Plan ułożenia

Prosimy wykonać dokładny rysunek pomieszczenia, ułożonych mat grzewczych oraz czujnika podłogowego.

	1	2	3	4	5	6	7	8	9	10	11	12	13	14	15	16	17	18	19	20	21	22	23	24	25	26	27	28	29	30	31	32	33	34	35	36		
1																																						
2																																						
3																																						
4																																						
5																																						
6																																						
7																																						
8																																						
9																																						
10																																						
11																																						
12																																						
13																																						
14																																						
15																																						
16																																						
17																																						
18																																						
19																																						
20																																						
21																																						
22																																						
23																																						
24																																						
25																																						
26																																						
27																																						
28																																						
29																																						
30																																						
31																																						
32																																						
33																																						
34																																						
35																																						
36																																						
37																																						
38																																						
39																																						
40																																						

Data instalacji:

Model:

Opór całkowity (Ω):

Rezystancja izolacji ($M\Omega$):

Bezpiecznik (A):

Wyłącznik ochronny różnicowo-prądowy (mA):



NOTATKI

Deutschland

STIEBEL ELTRON GmbH & Co. KG
Dr.-Stiebel-Straße 33 | 37603 Holzminden
Tel. 05531 702-0 | Fax 05531 702-480
info@stiebel-eltron.de
www.stiebel-eltron.de

Verkauf

Tel. 05531 702-110 | Fax 05531 702-95108 | info-center@stiebel-eltron.de

Kundendienst

Tel. 05531 702-111 | Fax 05531 702-95890 | kundendienst@stiebel-eltron.de

Ersatzteilverkauf

Tel. 05531 702-120 | Fax 05531 702-95335 | ersatzteile@stiebel-eltron.de

Australia

STIEBEL ELTRON Australia Pty. Ltd.
6 Prohasky Street | Port Melbourne VIC 3207
Tel. 03 9645-1833 | Fax 03 9645-4366
info@stiebel.com.au
www.stiebel.com.au

Austria

STIEBEL ELTRON Ges.m.b.H.
Gewerbegebiet Neubau-Nord
Margaritenstraße 4 A | 4063 Hörsching
Tel. 07221 74600-0 | Fax 07221 74600-42
info@stiebel-eltron.at
www.stiebel-eltron.at

Belgium

STIEBEL ELTRON bvba/sprl
't Hofveld 6 - D1 | 1702 Groot-Bijgaarden
Tel. 02 42322-22 | Fax 02 42322-12
info@stiebel-eltron.be
www.stiebel-eltron.be

China

STIEBEL ELTRON (Guangzhou) Electric
Appliance Co., Ltd.
Rm 102, F1, Yingbin-Yihao Mansion, No. 1
Yingbin Road
Panyu District | 511431 Guangzhou
Tel. 020 39162209 | Fax 020 39162203
info@stiebeleltron.cn
www.stiebeleltron.cn

Czech Republic

STIEBEL ELTRON spol. s r.o.
K Hájem 946 | 155 00 Praha 5 - Stodůlky
Tel. 251116-111 | Fax 235512-122
info@stiebel-eltron.cz
www.stiebel-eltron.cz

Finland

STIEBEL ELTRON OY
Kapinakuja 1 | 04600 Mäntsälä
Tel. 020 720-9988
info@stiebel-eltron.fi
www.stiebel-eltron.fi

France

STIEBEL ELTRON SAS
7-9, rue des Selliers
B.P 85107 | 57073 Metz-Cédex 3
Tel. 0387 7438-88 | Fax 0387 7468-26
info@stiebel-eltron.fr
www.stiebel-eltron.fr

Hungary

STIEBEL ELTRON Kft.
Gyár u. 2 | 2040 Budaörs
Tel. 01 250-6055 | Fax 01 368-8097
info@stiebel-eltron.hu
www.stiebel-eltron.hu

Japan

NIHON STIEBEL Co. Ltd.
Kowa Kawasaki Nishiguchi Building 8F
66-2 Horikawa-Cho
Saiwai-Ku | 212-0013 Kawasaki
Tel. 044 540-3200 | Fax 044 540-3210
info@nihonstiebel.co.jp
www.nihonstiebel.co.jp

Netherlands

STIEBEL ELTRON Nederland B.V.
Daviottenweg 36 | 5222 BH 's-Hertogenbosch
Tel. 073 623-0000 | Fax 073 623-1141
info@stiebel-eltron.nl
www.stiebel-eltron.nl

Poland

STIEBEL ELTRON Polska Sp. z O.O.
ul. Działkowa 2 | 02-234 Warszawa
Tel. 022 60920-30 | Fax 022 60920-29
biuro@stiebel-eltron.pl
www.stiebel-eltron.pl

Russia

STIEBEL ELTRON LLC RUSSIA
Urzhumskaya street 4,
building 2 | 129343 Moscow
Tel. 0495 7753889 | Fax 0495 7753887
info@stiebel-eltron.ru
www.stiebel-eltron.ru

Slovakia

TATRAMAT - ohrievače vody s.r.o.
Hlavná 1 | 058 01 Poprad
Tel. 052 7127-125 | Fax 052 7127-148
info@stiebel-eltron.sk
www.stiebel-eltron.sk

Switzerland

STIEBEL ELTRON AG
Industrie West
Gass 8 | 5242 Lupfig
Tel. 056 4640-500 | Fax 056 4640-501
info@stiebel-eltron.ch
www.stiebel-eltron.ch

Thailand

STIEBEL ELTRON Asia Ltd.
469 Moo 2 Tambol Klong-Jik
Amphur Bangpa-In | 13160 Ayutthaya
Tel. 035 220088 | Fax 035 221188
info@stiebeleltronasia.com
www.stiebeleltronasia.com

United Kingdom and Ireland

STIEBEL ELTRON UK Ltd.
Unit 12 Stadium Court
Stadium Road | CH62 3RP Bromborough
Tel. 0151 346-2300 | Fax 0151 334-2913
info@stiebel-eltron.co.uk
www.stiebel-eltron.co.uk

United States of America

STIEBEL ELTRON, Inc.
17 West Street | 01088 West Hatfield MA
Tel. 0413 247-3380 | Fax 0413 247-3369
info@stiebel-eltron-usa.com
www.stiebel-eltron-usa.com

STIEBEL ELTRON



Irrtum und technische Änderungen vorbehalten! | Subject to errors and technical changes! | Sous réserve d'erreurs et de modifications techniques! | Onder voorbehoud van vergissingen en technische wijzigingen! | Salvo error o modificación técnica! | Excepto erro ou alteração técnica | Zastrzeżone zmiany techniczne i ewentualne błędy! | Omyly a technické změny jsou vyhrazeny! | A muszaki változtatások és tévedések jogát fenntartjuk! | Отсутствие ошибок не гарантируется. Возможны технические изменения. | Chyby a technické zmeny sú vyhradené! | Stand 9147