



tr Montaj kılavuzu

de Montageanweisung

fi Assennus ohjeet

pt Instruções de montagem



en Assembly instructions

sv Monteringsanvisning

fr Instructions de montage

it Istruzioni per il montaggio

nl Montage-Voorschriften

da Monteringsvejledning

cs Montážní návod

es Instrucciones de montaje

**1**

a		700x75
b		
c		
d		(80 mm)
e		(80 mm)
f		
g		(80 mm)
h		ops.(+50) H= 870-920 mm
i		(40 mm)
j		
k		(40 mm)
l		
m		(40 mm)
n		x2

**2** ops.(+50) H= 870-920 mm

**3**

**4**

**5**

**6** ops.(+50) H= 870-920 mm

**7**

ops. = e d - m

**8**

ops. = e d - m

**9**

ops. = g - i

**10**

3-8 kg

**11**

**12**

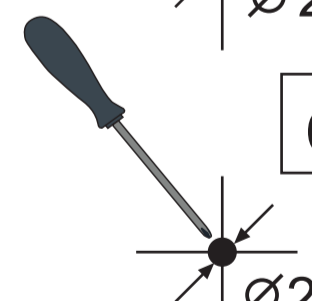
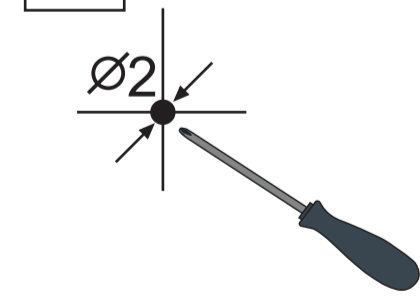
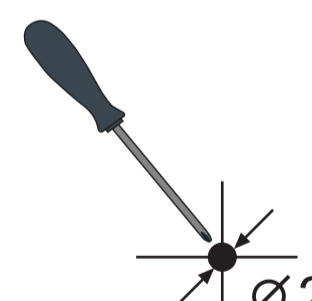
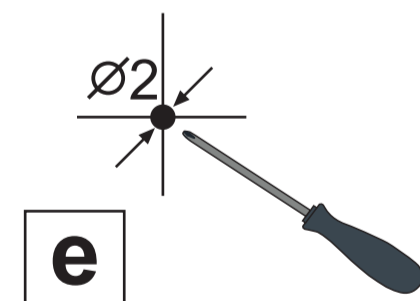
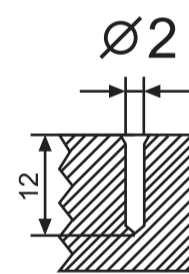
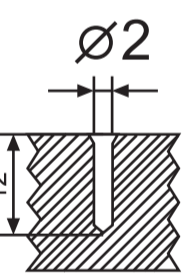
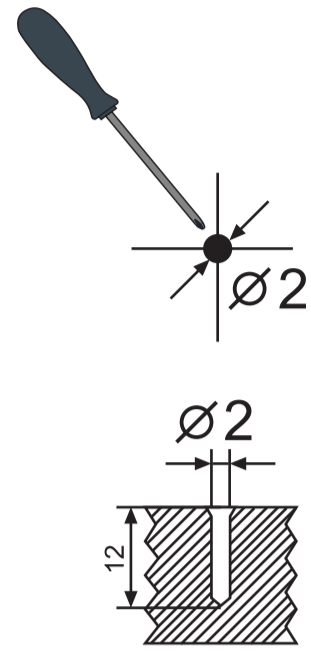
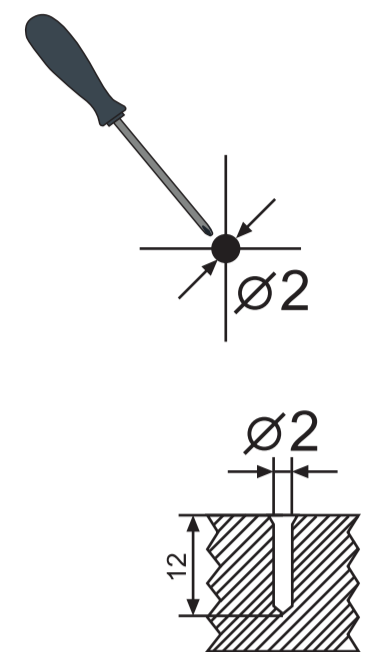
**13**

ops. = d - m

**14**

**15**

**16**



ops. = e d - m

ops. = d - m

